

879W

8 Drawer File

w/Door



FOR NORMAL HOUSEHOLD USE ONLY.
NOT RECOMMENDED FOR
COMMERCIAL USE.

TOOLS REQUIRED: Phillips Screwdriver, Mallet or Padded Hammer, Wood Glue

BEFORE BEGINNING ASSEMBLY, check that the quantities of the parts received match those on the parts list.

SERVICE POLICY: PLEASE CONTACT WHITTIER WOOD PRODUCTS CUSTOMER SERVICE DEPARTMENT DIRECTLY FOR REPLACEMENT PARTS. WE WILL REPLACE ANY PARTS WHICH ARE DEFECTIVE, MISSING OR DAMAGED DURING ASSEMBLY. IF YOU LIVE IN THE U.S. OR CANADA, YOU CAN REACH US TOLL FREE AT: 800-653-3336. ALL OTHER CUSTOMERS CAN REACH US BY CALLING 541-687-0213, FAXING 541-687-2060 OR WRITING TO P.O. BOX 2827, EUGENE, OR-USA 97402.

CUSTOMER SERVICE PERSONNEL CAN BE REACHED MONDAY-FRIDAY, 7:00 A.M. TO 5:00 P.M. PACIFIC TIME. A MESSAGE CAN BE LEFT FOR CUSTOMER SERVICE 24 HOURS A DAY, SEVEN DAYS A WEEK.

WHEN CONTACTING US, PLEASE PROVIDE THE FURNITURE MODEL NUMBER, PART LETTER, QUANTITY NEEDED, REASON FOR REPLACEMENT AND YOUR FULL NAME AND ADDRESS ALONG WITH A TELEPHONE NUMBER IN CASE WE NEED TO CONTACT YOU. YOUR PARTS WILL BE SENT FROM OUR EUGENE, OREGON FACTORY WITHIN TWO WORKING DAYS FROM THE TIME WE RECEIVE THE REQUEST. PLEASE ALLOW 5-10 DAYS FOR DELIVERY.

Chaparral Furniture is presented by:

WHITTIER WOOD PRODUCTS • P.O. BOX 2827 • EUGENE, OREGON 97402 • (541) 687-0213

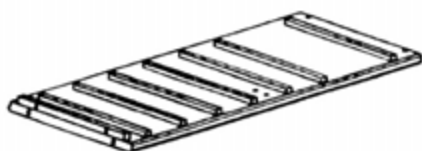
INSPECT YOUR FURNITURE PERIODICALLY FOR ANY LOOSE GLUE JOINTS OR SCREWS, OR ANY OTHER PROBLEM WHICH MAY BE AFFECTING THE STABILITY OF YOUR FURNITURE. TIGHTEN OR REPAIR AS NEEDED.

DESIGN SUBJECT TO CHANGE WITHOUT NOTICE.

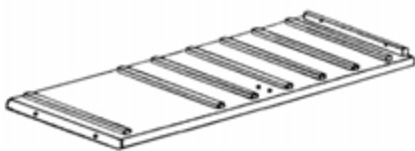
10/01

879W 8 Drawer File w/Door – Parts List

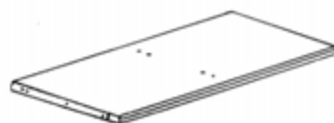
BEFORE BEGINNING ASSEMBLY, check that the quantities of the parts received match those on the parts list.



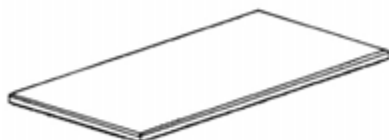
1 – Left Side – Qty. 1



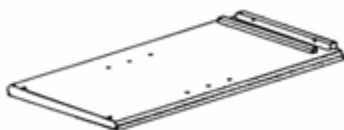
2 – Vertical Divider – Qty. 1



3 – Bottom Shelf – Qty. 1



4 – Top – Qty. 1



5 – Right Side – Qty. 1



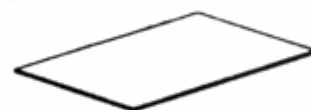
6 – Back – Qty. 2



7 – Drawer Side – Qty. 14



8 – Drawer End – Qty. 7



9 – Drawer Bottom – Qty. 8



10 – Drawer Front – Qty. 7



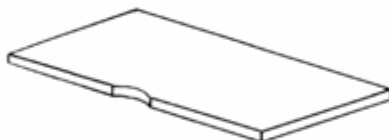
11 – Large Drawer Side – Qty. 2



12 – Large Drawer End – Qty. 1



13 – Large Drawer Front – Qty. 1



14 – Door – Qty. 1



15 – Adjustable Shelf – Qty. 1



16 – Sleeper – Qty. 1

HARDWARE



A – 4,0x50 Phillips Screw – Qty. 2



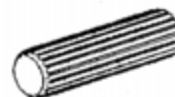
B – 4,0x30 Phillips Screw – Qty. 82



C – 3,5x16 Phillips Screw – Qty. 16



D – 3,0x16 Phillips Screw – Qty. 12

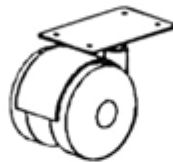


E – 8,0x35 Wood Dowel – Qty. 16

879W 8 Drawer File w/Door – Parts List



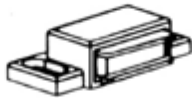
F – Nail – Qty. 30



G – Caster – Qty. 4



H – Catch Plate – Qty. 1



I – Magnetic Catch – Qty. 1



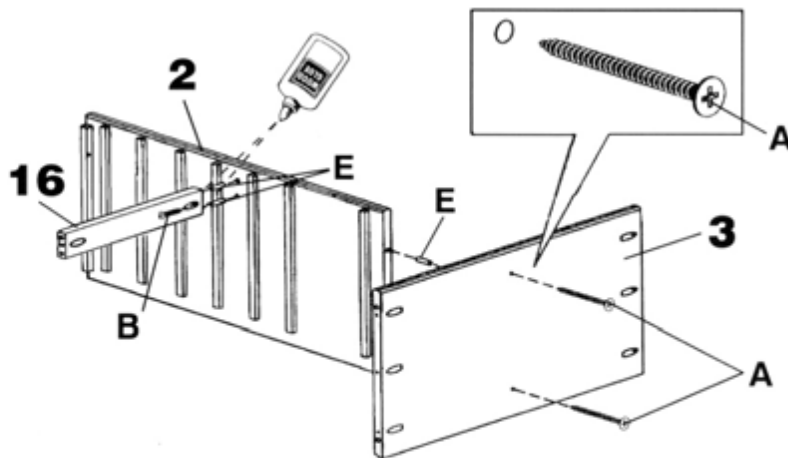
J – Hinge – Qty. 2



K – Shelf Support – Qty. 4

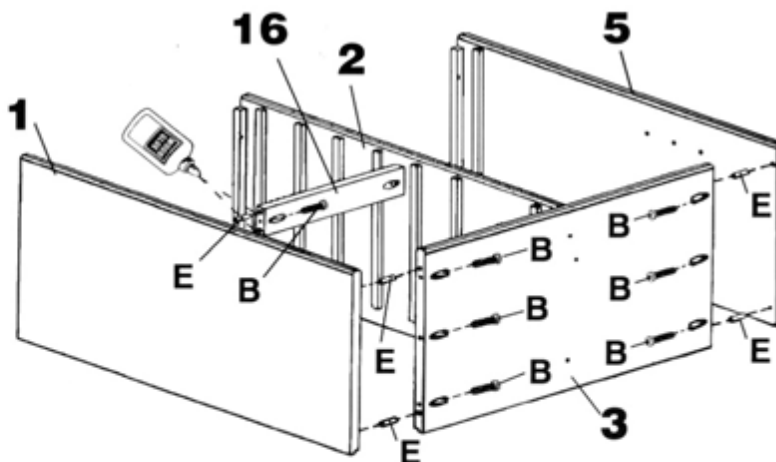
ASSEMBLY INSTRUCTIONS

STEP 1

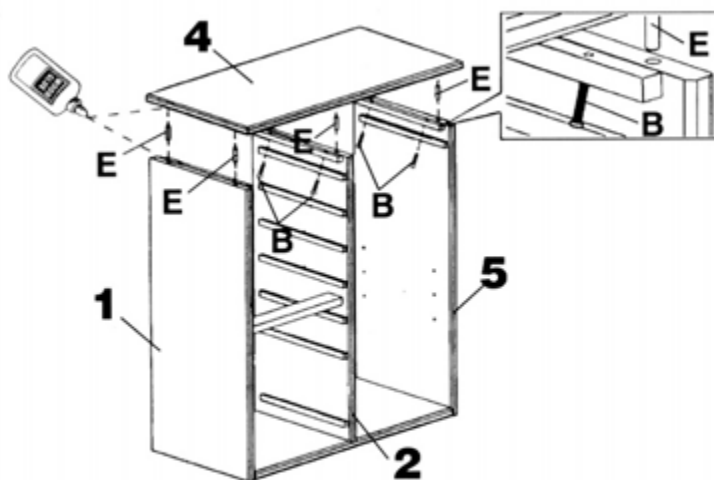


- 1) Glue two Wood Dowels (E) in bottom edge of Vertical Divider (2) and two in holes in the side near the middle. Attach the Bottom Shelf (3) to the vertical divider with the dowels and fasten in place with two Phillips Screws (A) through the predrilled holes. Attach the Sleeper (16) over the other two dowels and fasten in place with a Phillips Screw (B) through the pocket drilled hole.

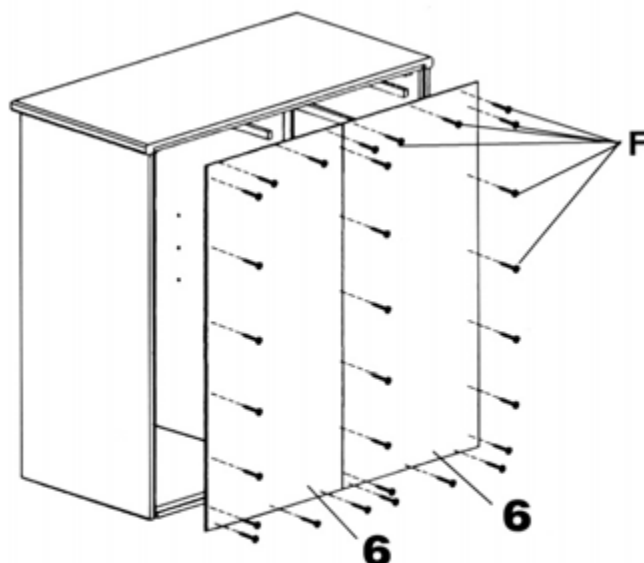
STEP 2



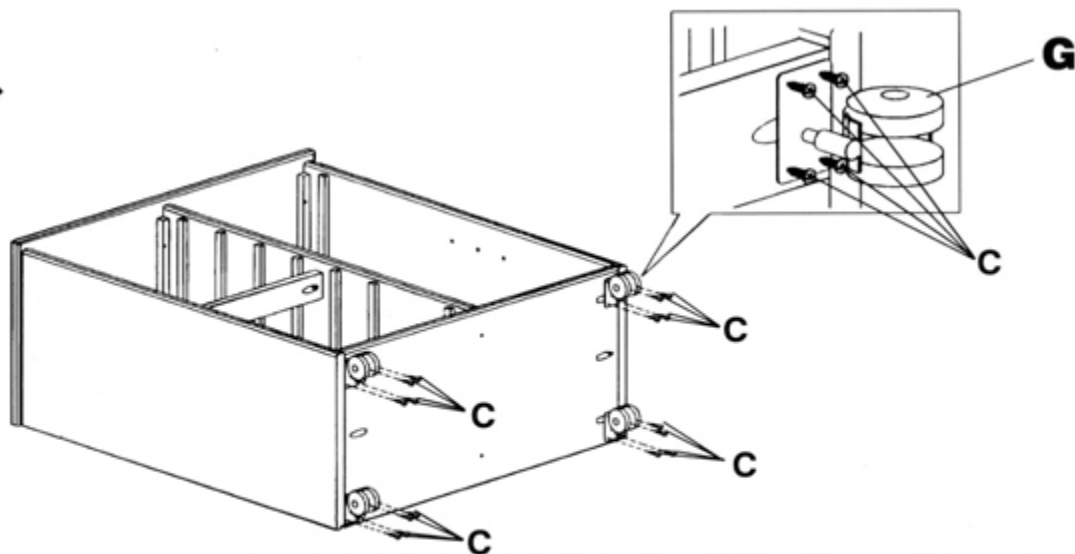
- 2) Glue two Dowels (E) in end of Sleeper (16) and each end of Bottom Shelf (3). Attach the Left Side (1) to the Sleeper and the Bottom Shelf using the dowels. Fasten in place with Phillips Screws (B) through the pocket drilled holes. Attach the Right Side (5) to the Bottom Shelf in the same way.

STEP 3

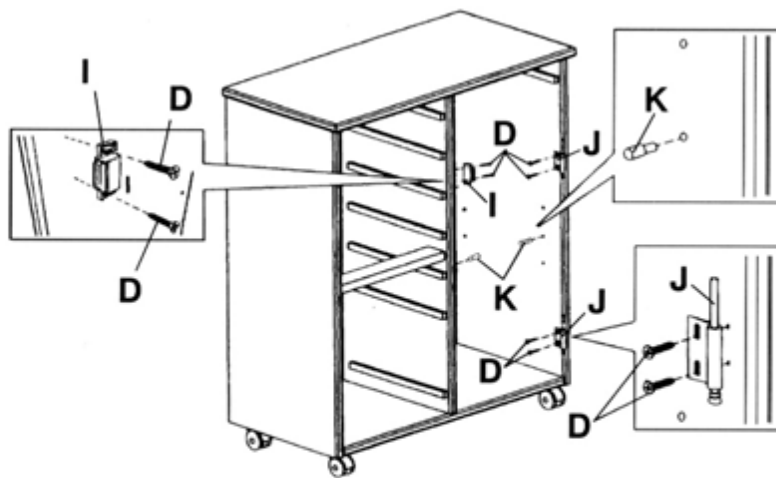
- 3) Glue two Wood Dowels (E) into the top edge of the Sides (1&5) and Vertical Divider (2). Spread a light layer of glue over the dowels and slide the Top (4) down over the dowels. Fasten in place with Phillips Screws (B) through the predrilled holes in the Sides and Vertical Divider.

STEP 4

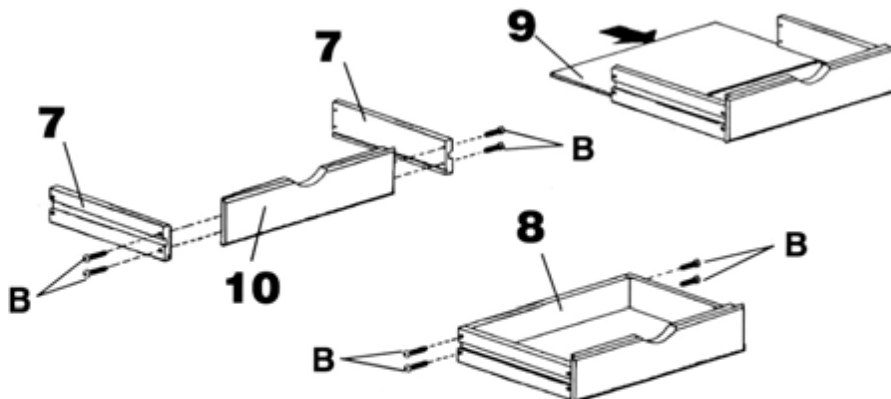
- 4) Lay the Backs (6) in the notches in the Sides, Top and Bottom Shelf. Where the two Backs meet should be centered on the Vertical Divider. Fasten in place with Nails (F).

STEP 5

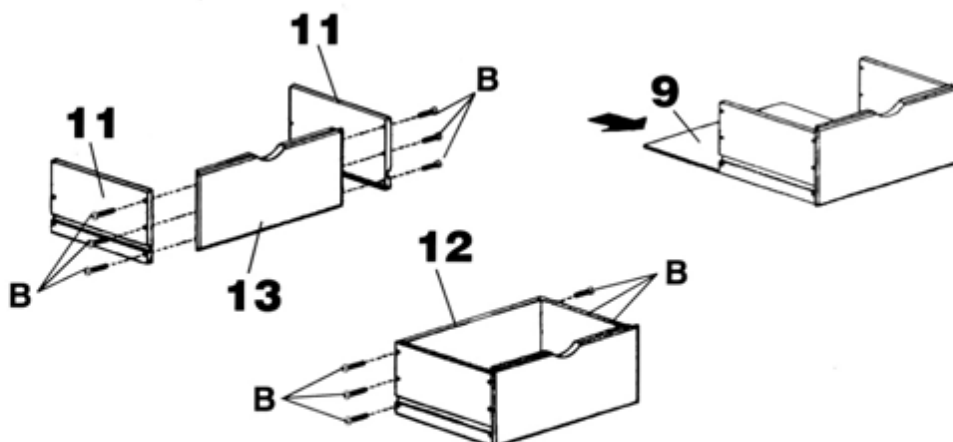
- 5) Attach a Caster (G) in each corner of Bottom shelf with four Phillips Screws (C).

STEP 6

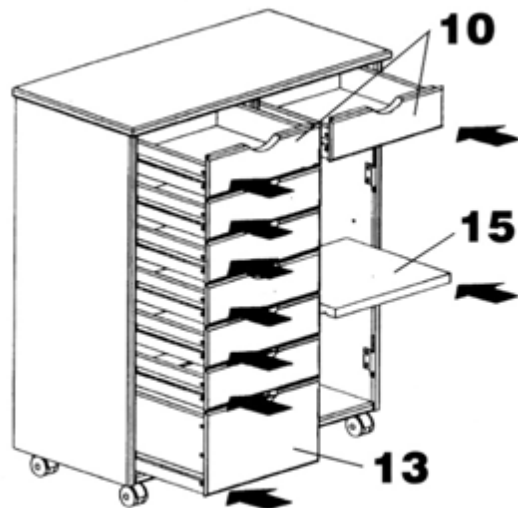
- 6) Attach the Magnetic Catch (I) to the right side of the Vertical Divider using Phillips Screws (D) in the pre-punched holes. Attach the Hinges (J) to the Right Side using Phillips Screws (D) in the pre-punched holes. Insert the Shelf Supports (K) in the holes at the level that you want the adjustable shelf.

STEP 7

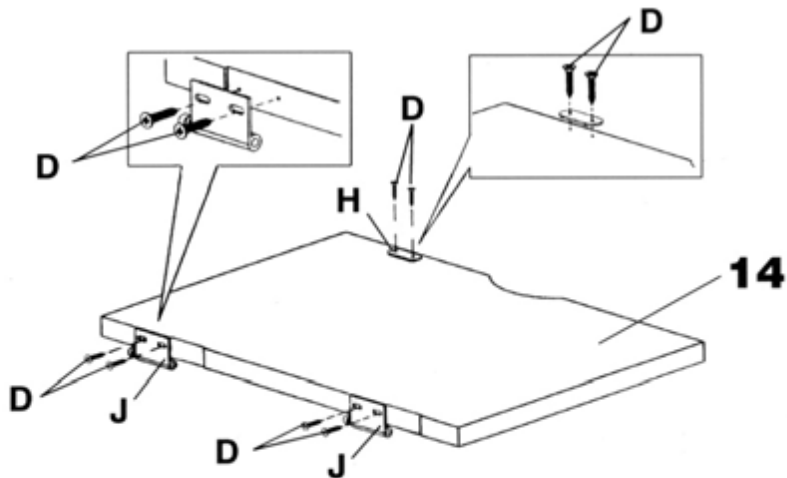
- 7) Attach two Drawer Sides (7) to a Drawer Front (10) with Phillips Screws (B) through the predrilled holes in the sides. The grooves in the Sides for the Drawer Bottom must line up with the groove in the Drawer Front. Slide the Drawer Bottom (9) into the grooves in the Drawer Sides and Front. Attach the Drawer End (8) to the Drawer Sides with Phillips Screws (B) through the predrilled holes in the sides. Repeat for the other drawers.

STEP 8

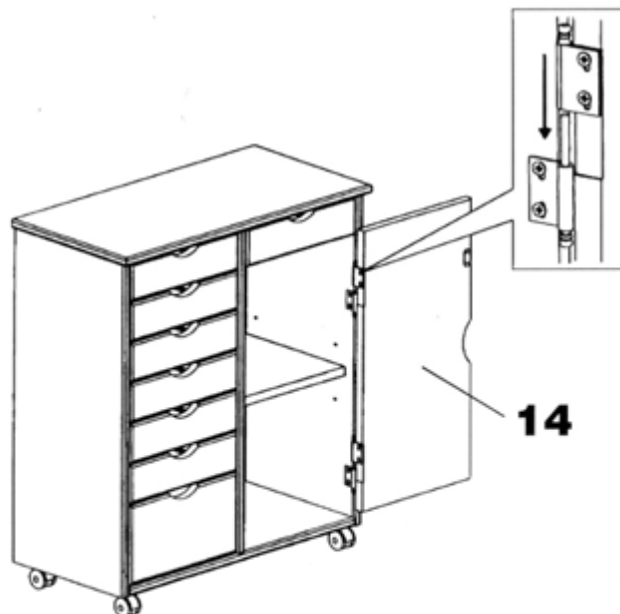
- 8) Build the large drawer in the same way as the small ones.

STEP 9

9) Slide the drawers into the unit. Insert the Adjustable Shelf (15) over the Shelf Supports (K).

STEP 10

10) Mount the Hinges (J) on the inner edge of the Door (14) using Phillips Screws (D) in the prepunched holes. Attach the Catch Plate (H) to the inside of the door with Phillips Screws (D) in the prepunched holes.

STEP 11

11) Hang the door on the hinges. To adjust the door, loosen the screws in the elongated holes.