

McKenzie Occasional Table

Assembly Instructions

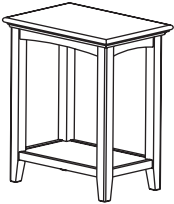
AFGAC = Glazed Antique Cherry finish

AFCAF = Caffè finish

Model #

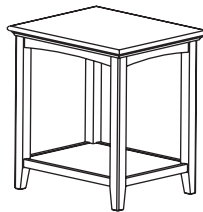
3497AFGAC;
3497AFCAF

McKenzie Accent Table



3498AFGAC;
3498AFCAF

McKenzie Side Table



3499AFGAC;
3499AFCAF

McKenzie Cocktail Table



IMPORTANT NOTES:

- For normal household use only. **Not** recommended to use in a commercial setting.
- Unload items before you move this unit.
- Do not overload the shelf.
- Before you load or move this unit, tighten all screws and supports.
- Before you begin your project, completely read the Assembly Instructions.
- Store this item: 1- in its box; 2- in a dry place; 3- in temperatures that range from 40°F to 90°F (not on a cold and possibly damp cement floor).
- Periodically inspect your furniture for any loose glue joints, screws or any other problem that might affect the stability of your furniture. Tighten or repair as needed.

DESIGN SUBJECT TO CHANGE WITHOUT NOTICE.

Congratulations!

This fine piece of furniture will make a gorgeous addition to your home. For the best results, read the Assembly Instructions before you begin your project.



CALL US FIRST! *Do not return this item to the store.*

Service Policy: We will replace any part that is defective, missing or damaged during assembly. For a replacement part, phone, fax, mail or email the Whittier Wood Products customer service department.

Hours: Reach our friendly customer service staff Monday-Friday 7:00 a.m. to 5:00 p.m. (Pacific Time). Otherwise you may leave a message 24 hours a day, seven days a week.

To Order: Provide the furniture model number and finish (above the illustration of your unit), the part letter, production code, quantity needed, reason for replacement and your full name, address and telephone number.

Parts ship from our Eugene, Oregon factory within one or two business days from the time we receive your request. Please allow five to ten business days for delivery.

800-653-3336 • Outside the U.S. or Canada: 541-687-0213 • Fax: 541-687-2060
www.whittierwood.com • P.O. Box 2827 • Eugene, Oregon 97402, U.S.A.

Whittier
Wood
FURNITURE

P.O. Box 2827
Eugene, OR 97402 USA

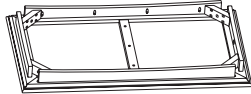






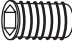



Production Code:

VN

11/11

3497AFGAC; 3498AFGAC; 3499AFGAC 3497AFCAF; 3498AFCAF; 3499AFCAF McKenzie Occasional Table — Parts List

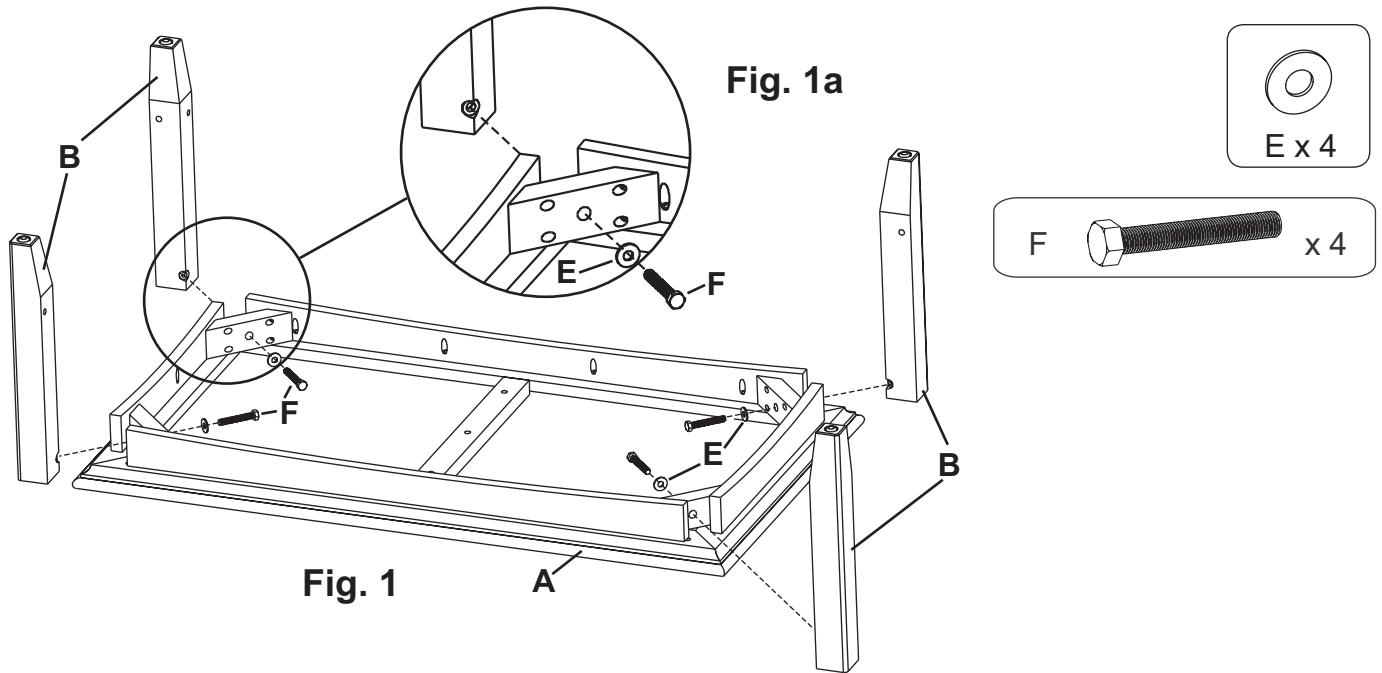
Please identify the parts and check that quantities received match those on this list.
If you need to replace a part, refer to the following letter and model name.

Part	Description	Quantity		
		3497AFGAC 3497AFCAF	3498AFGAC 3498AFCAF	3499AFGAC 3499AFCAF
A	Top Assembly 	1	1	1
B	Leg 	4	4	4
C	Shelf Assembly 	1	1	1
D	#8 x 1-1/4" Pan Head Screw 	34 (26 inserted)	34 (26 inserted)	51 (43 inserted)
E	5/16" Flat Washer 	4	4	4
F	3/8" x 2-1/2" Hex Bolt 	4	4	4
G	#8 x 1-3/4" Pan Head Screw (inserted) 	0	0	14
H	3/8" x 1" Insert Nut (inserted) 	4	4	4
J	Adjustable Glide (inserted) 	4	4	4
K	Wood Dowel (inserted) 	4	4	4
L	1/4" x 20mm Insert Nut (inserted) 	4	4	4

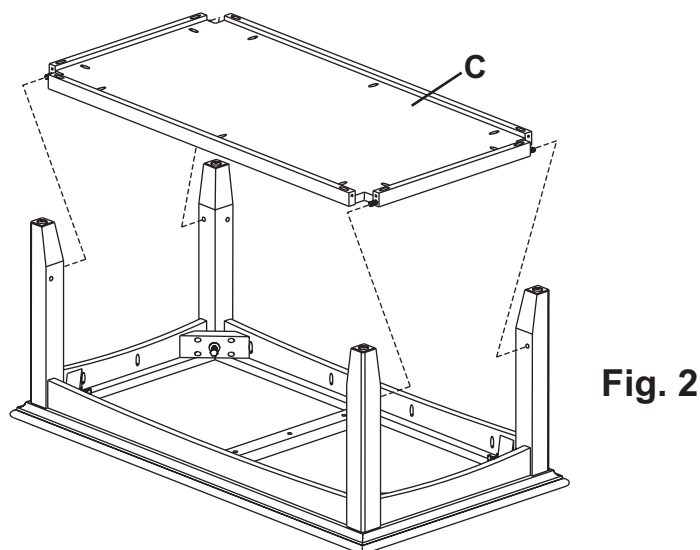
3499 shown in the illustrations.

3497AFGAC; 3498AFGAC; 3499AFGAC 3497AFCAF; 3498AFCAF; 3499AFCAF McKenzie Occasional Table Assembly Instructions

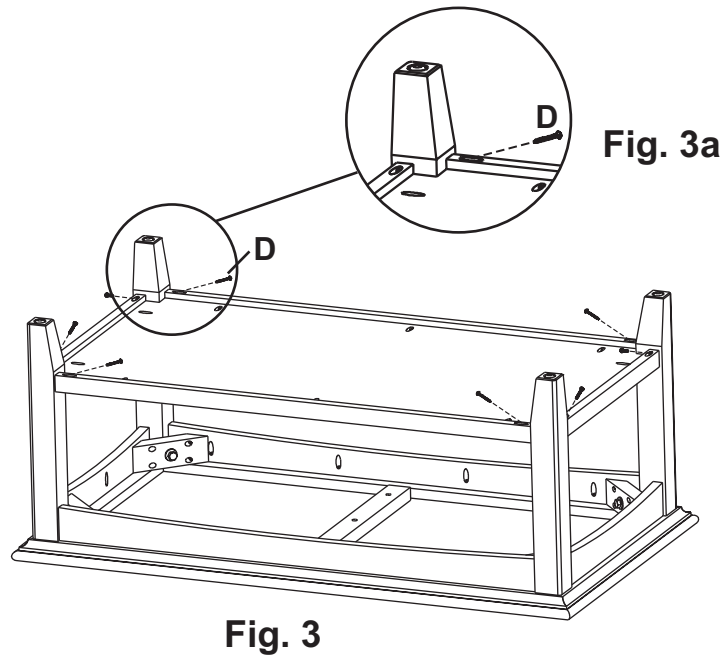
Tools Required: Phillips Screwdriver, 9/16" or Adjustable Wrench



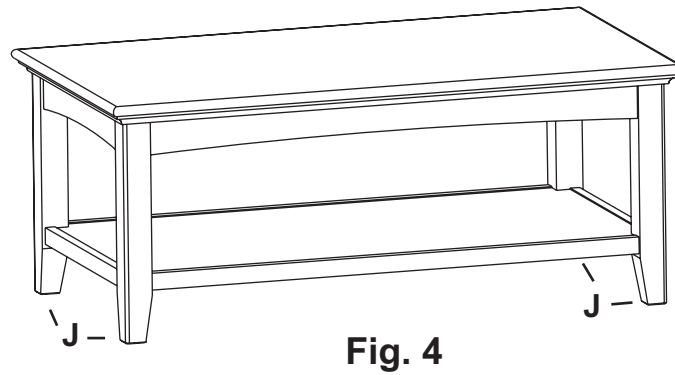
1. Turn the Top Assembly (A) upside-down on a clean protective surface. Position the Legs (B) in the corners so the Insert Nuts (H) face in. LOOSELY attach with four 5/16" Flat Washers (E) and four 3/8" x 2-1/2" Hex Bolts (F) (the legs should be wobbly). See Figures 1 and 1a.



2. Turn the Shelf Assembly (C) upside-down and place the dowels into the dowel holes in the Legs. Tighten the Hex Bolts on the Legs. See Figure 2.



3. Using the pocket holes as guides, secure the Shelf (C) to the Legs (B) with eight #8 x 1-1/4" Pan Head Screws (D). See Figures 3 and 3a.



4. Turn the table upright and place the table at its final destination. To level the table, rotate the Adjustable Glides (J) found on the bottoms of the Legs.