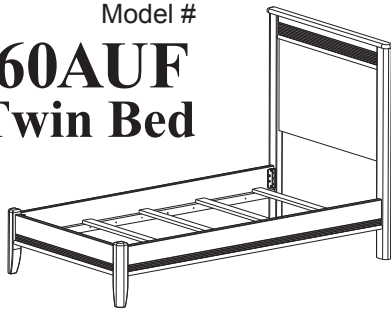


# Pacific Bed Collection

Assembly Instructions

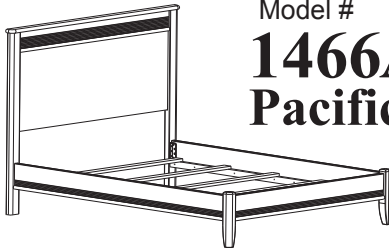
Model #

## 1460AUF Pacific Twin Bed



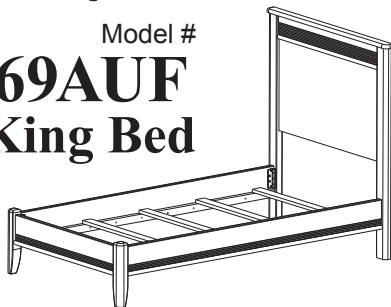
Model #

## 1466AUF Pacific Queen Bed



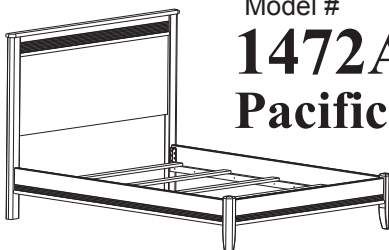
Model #

## 1469AUF Pacific King Bed



Model #

## 1472AUF Pacific Cal-King Bed



### **Congratulations!**

*This fine piece of furniture will make a gorgeous addition to your home. For the best results, start by reading the Assembly Instructions and Finishing Hints before you begin your project.*

**For normal household use only.  
NOT recommended for commercial use.**



Unload items from this unit prior to moving.

Before loading or moving this item, check to see that all screws and supports are tight.

**DESIGN SUBJECT TO CHANGE WITHOUT NOTICE.**

**Whittier  
Wood**  
FURNITURE

P.O. Box 2827  
Eugene, OR 97402 USA



# CALL US FIRST!

**DO NOT RETURN ITEM TO STORE**

**Service Policy:** We will replace parts which are defective, missing or damaged. Please contact Whittier Wood Products customer service department directly (by phone, fax, mail or E-mail) for replacement parts.

**Hours:** Our friendly customer service staff can be reached Monday-Friday 7:00 a.m. to 5:00 p.m. (Pacific Time). A message can be left 24 hours a day, 7 days a week.

**To Order:** Provide the complete furniture model number, part letter, production code, quantity needed, reason for replacement and your full name and address along with a telephone number in case we need to contact you.

*Parts ship from our Eugene, Oregon factory within 1 or 2 business days from the time we receive the request. Please allow 5-10 business days for delivery.*

**800-653-3336**

Outside U.S. or Canada: 541- 687- 0213

Fax: 541-687-2060 • [www.whittierwood.com](http://www.whittierwood.com)

Mail: P.O. Box 2827 • Eugene, Oregon 97402, U.S.A

### **IMPORTANT NOTES:**

- Completely read the Assembly Instructions and Finishing Hints before you begin your project.
- Store the item: 1) in the box; 2) in a dry place; 3) in temperatures that range from 40° to 90°F (not on a cold and possibly damp cement floor).
- Inspect your furniture periodically for any loose glue joints, screws or any other problem that might affect the stability of your furniture. Tighten or repair as needed.
- This assembly requires two people.

Production Code:

VN

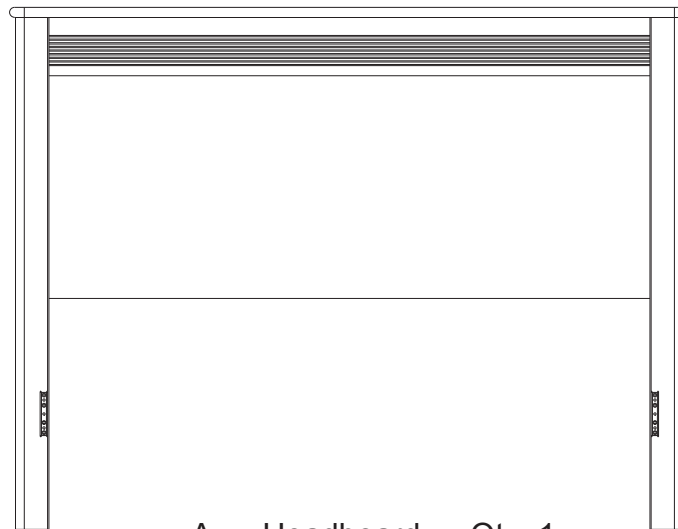
08/09

# 1460AUF Pacific Twin Bed; 1466AUF Pacific Queen Bed; 1469AUF Pacific King Bed; 1472AUF Pacific Cal-King Bed — Parts List

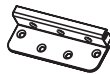
Please identify the parts and check that quantities received match those on this list.  
If you need to replace a part, refer to the following letter and model name.

---

## 1461AUF Twin Headboard 1467AUF Queen Headboard 1470AUF King Headboard 1473AUF Cal-King Headboard



A — Headboard — Qty. 1



B — Male Bracket  
— Qty. 2 (attached)



C — #8 x 1" Black Screw  
— Qty. 8 (inserted)

# 1460AUF Pacific Twin Bed; 1466AUF Pacific Queen Bed; 1469AUF Pacific King Bed; 1472AUF Pacific Cal-King Bed — Parts List (Cont.)

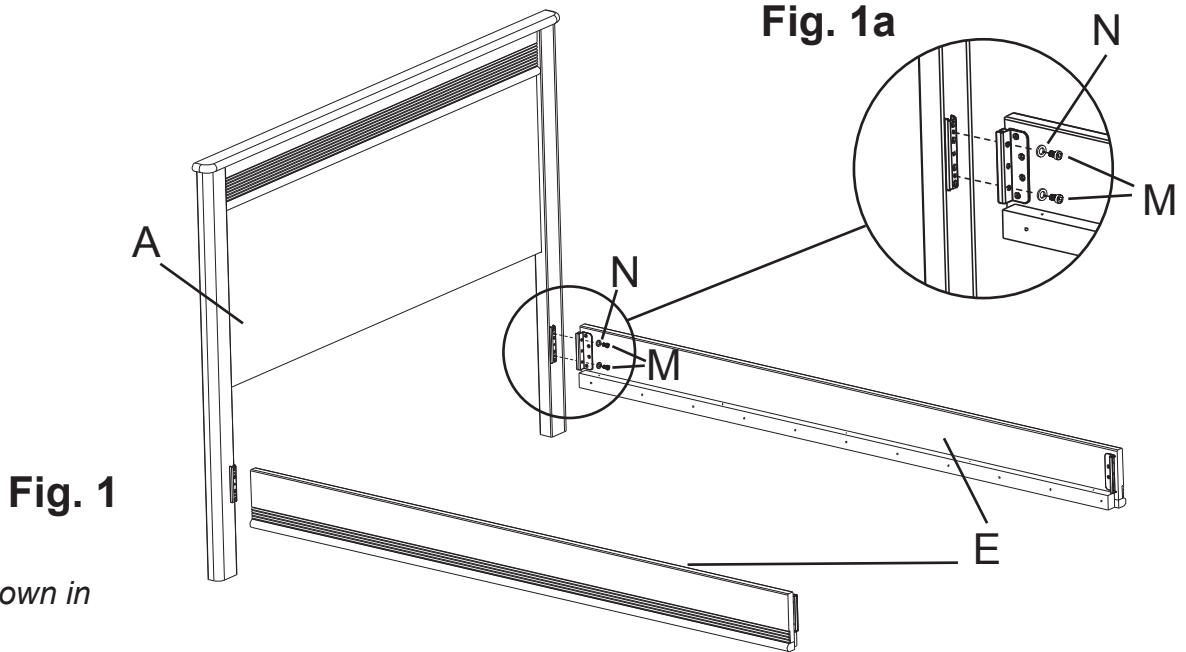
<b>1462AUF Twin Bed Footboard/Rail Kit</b>			<b>1468AUF Queen Bed Footboard/Rail Kit</b>		
Item	Description	Qty.	Item	Description	Qty.
D	Footboard . . . . .	1	D	Footboard . . . . .	1
E	Rail . . . . .	2	E	Rail . . . . .	2
F	Slat . . . . .	5	F	Slat . . . . .	5
G	T-Nut (inserted) . . . . .	0	G	T-Nut (inserted) . . . . .	5
H	Assembled Foot . . . . .	0	H	Assembled Foot . . . . .	4
I	Adjustable Glide (installed) . . . . .	0	I	Adjustable Glide (installed) . . . . .	4
J	T-Nut (installed) . . . . .	0	J	T-Nut (installed) . . . . .	4
K	Hanger Bolt (inserted) . . . . .	0	K	Hanger Bolt (inserted) . . . . .	4
B	Male Bracket (attached) . . . . .	2	B	Male Bracket (attached) . . . . .	2
L	Female Bracket (attached) . . . . .	4	L	Female Bracket (attached) . . . . .	4
C	#8 x 1" Black Screw (inserted) . . . . .	24	C	#8 x 1" Black Screw (inserted) . . . . .	24
M	6x12mm Hex Bolt . . . . .	8	M	6x12mm Hex Bolt . . . . .	8
N	¼" Lock Washer . . . . .	8	N	¼" Lock Washer . . . . .	8
O	#8 x 1¼" Black Screw (18 inserted) . . . . .	28	O	#8 x 1¼" Black Screw (19 inserted) . . . . .	29
P	5mm Hex Wrench . . . . .	1	P	5mm Hex Wrench . . . . .	1

<b>1471AUF King Bed Footboard/Rail Kit</b>			<b>1474AUF Cal-King Bed Footboard/Rail Kit</b>		
Item	Description	Qty.	Item	Description	Qty.
D	Footboard . . . . .	1	D	Footboard . . . . .	1
E	Rail . . . . .	2	E	Rail . . . . .	2
F	Slat . . . . .	5	F	Slat . . . . .	5
G	T-Nut (inserted) . . . . .	5	G	T-Nut (inserted) . . . . .	5
H	Assembled Foot . . . . .	4	H	Assembled Foot . . . . .	4
I	Adjustable Glide (installed) . . . . .	4	I	Adjustable Glide (installed) . . . . .	4
J	T-Nut (installed) . . . . .	4	J	T-Nut (installed) . . . . .	4
K	Hanger Bolt (inserted) . . . . .	4	K	Hanger Bolt (inserted) . . . . .	4
B	Male Bracket (attached) . . . . .	2	B	Male Bracket (attached) . . . . .	2
L	Female Bracket (attached) . . . . .	4	L	Female Bracket (attached) . . . . .	4
C	#8 x 1" Black Screw (inserted) . . . . .	24	C	#8 x 1" Black Screw (inserted) . . . . .	24
M	6x12mm Hex Bolt . . . . .	8	M	6x12mm Hex Bolt . . . . .	8
N	¼" Lock Washer . . . . .	8	N	¼" Lock Washer . . . . .	8
O	#8 x 1¼" Black Screw (20 inserted) . . . . .	30	O	#8 x 1¼" Black Screw (20 inserted) . . . . .	30
P	5mm Hex Wrench . . . . .	1	P	5mm Hex Wrench . . . . .	1

# 1460AUF Pacific Twin Bed; 1466AUF Pacific Queen Bed; 1469AUF Pacific King Bed; 1472AUF Pacific Cal-King Bed Assembly Instructions

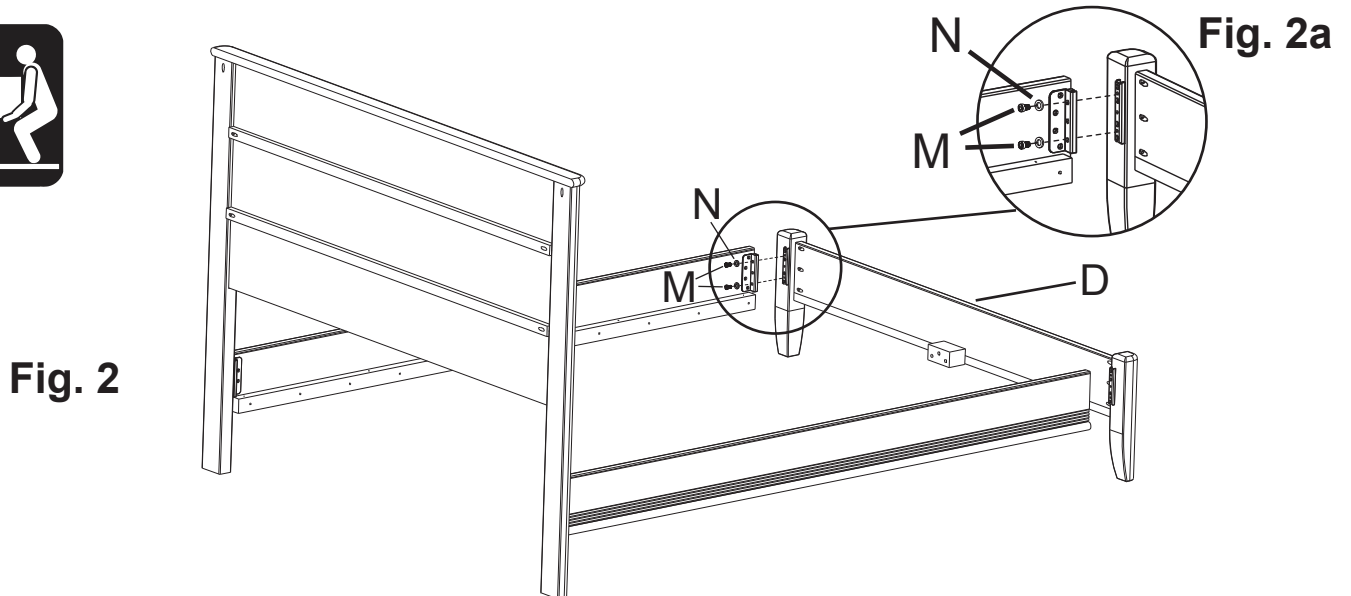
This Assembly Requires Two People

**TOOLS REQUIRED:** 5mm Hex Wrench (provided) and Phillips Screwdriver

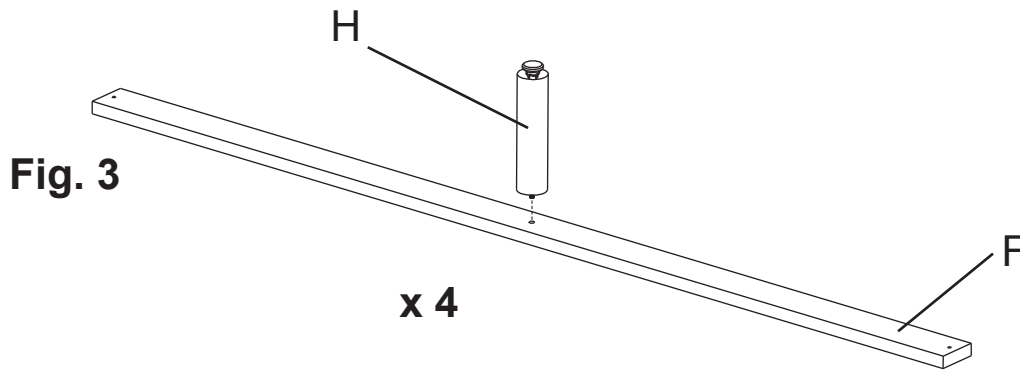


1468AUF shown in illustrations.

1. Using the Hex Wrench (P) provided, attach Rails (E) to Headboard (A) with four 6 x 12mm Hex Bolts (M) and four 1/4" Lock Washers (N) as shown in Figures 1 and 1a.

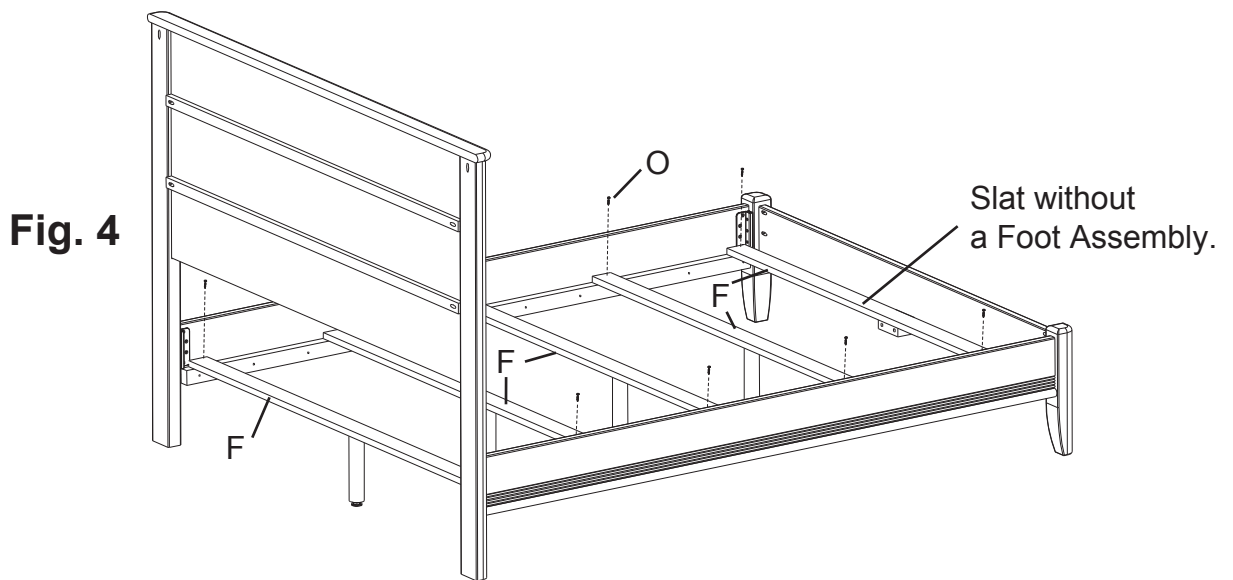


2. Using the Hex Wrench (P) provided, attach Footboard (D) to Rails with four 6 x 12mm Hex Bolts (M) and four 1/4" Lock Washers (N) as shown in Figures 2 and 2a.

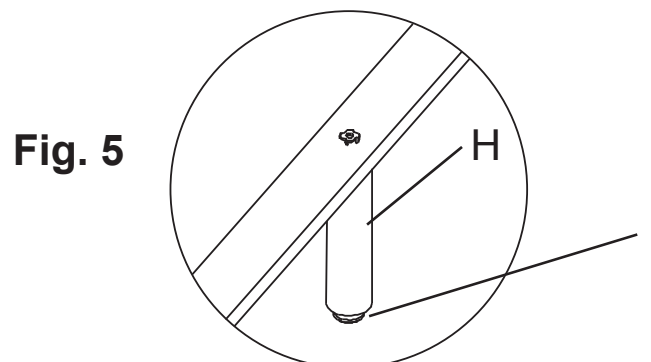


**NOTE: Not applicable for the twin bed.**

3. Attach an Assembled Foot (H) to four of the Slats (F) as shown in Figure 3.



4. Position the Slats (F) on the bottom edges of rails as shown in Figure 4. Attach with ten #8 x 1¼" Black Screws (O). For the Queen, King or Cal-King bed, place the slat without the Foot Assembly next to the Footboard. See Figure 4.



**NOTE: Not applicable for Twin Bed.**

5. Adjust Glides (I) on the Foot Assemblies (H) so the Glides just touch the floor.  
Sleep well, and enjoy!

# Finishing Hints

## Choosing the Finish:

1. Choose a finish that will meet your expectations for the product you are finishing. Are you matching existing furniture or do you want a "natural" finish? Is the piece to be functional, decorative or both? The answers to these questions may affect the type of finish you choose.
2. Use products of the same brand to ensure compatibility of products.
3. **ALWAYS** follow the stain manufacturer's instructions. Alder is a porous hardwood and often looks best when following the finishing directions for softwoods
4. We recommend using a wood conditioner under oil base stains.
5. Work in a well ventilated and well lit area.

## Getting Started

1. **Assembly Instructions may contain special finishing information for that item.** Read both the Assembly Instructions and these Finishing Hints completely before beginning.
2. Sand the entire piece, using #220 grit sandpaper. Sand with the grain of the wood on flat surfaces and opposite the grain on turnings. Some parts are plywood. Be careful not to sand through the veneer. End grain (table top ends, seat edges, grooves on turnings, etc.) accepts more stain. Extra sanding in these areas with a #320 grit sandpaper will reduce stain absorption, creating a more evenly stained piece.
3. When sanding is completed, wipe the surface of your furniture with a cloth or tack rag. Make sure the item is free of dust before proceeding.

## Staining

1. Read and follow label directions. Stir stain well before starting.
2. Test stain on an inconspicuous spot on your project, or use the sample chip if one is provided. The sample chip must be sanded in the same way as your furniture kit to ensure the piece will accept the stain similarly. Put at least one coat of your top coat over the stain sample, as it also affects the look of the stain. **Test every type of wood that is in your kit.** Some of our products include more than one type of wood, which may react differently to the stain color. Sample chips for the different woods may be included. It may be necessary to add a second coat of stain to lighter woods to match the darker woods in your kit.

## Basic Equipment:

- |  |   |  |
|--|---|--|
| <input type="checkbox"/> Rubber gloves | <input type="checkbox"/> Tack cloth                       | <input type="checkbox"/> #220 & #320 sandpaper |
| <input type="checkbox"/> Rags          | <input type="checkbox"/> Drop cloth                       | <input type="checkbox"/> Mineral spirits       |
| <input type="checkbox"/> Paper towels  | <input type="checkbox"/> Paint brushes (bristle and foam) | <input type="checkbox"/> Masking Tape          |
| <input type="checkbox"/> Q-tips        |   |  |

3. Apply stain with a poly brush or lint-free cloth. Apply stain over a small area and wipe off excess. Working in small areas will make the color easier to control.
4. Q-tips are ideal for hard to reach areas.
5. Allow to dry thoroughly before proceeding.

## Applying the Top Coat:

**No top coat is required if using paint.**

1. **Always read and follow all label directions.** Stir your finish coat gently, **do not shake.** It will create bubbles that are hard to remove.
2. **All surfaces** (including the underside of table tops and inside drawers) **must be sealed with at least one layer of a top coat.** This will help minimize wood swelling, shrinkage, warping and cupping due to changes in moisture content or temperature.
3. We recommend that you **apply a minimum of two coats when using polyurethane or varnish (especially on all table top and work surfaces).** Sand lightly between coats using a #320 grit sandpaper or 00 steel wool for the smoothest possible finish.
4. Some water-based finishes tend to raise the grain slightly. This can be easily controlled with this sanding step. However, do not use steel wool when using water-based finishes. Strands of steel fiber caught in the wood can cause rust spots when coated with any water-based product.

## Painting:

1. For best results when painting, first coat the wood with a primer. An oil based primer would be best for a smooth finish. If you do not wish to use a solvent based primer, a water based primer would work almost as well.
2. Buy a quality brand paint. You may use a satin, semi-gloss, or gloss sheen. Apply a second coat for a smooth finish. Lightly sand between coats using a #320 grit sandpaper, so that the second coat will bond well. Repeat as desired.
3. Since there is such a variation between paint manufacturers, refer to your paint supplier for specific advice on using the paint that you purchase.