

McKenzie Bookcase Cal-King Headboard

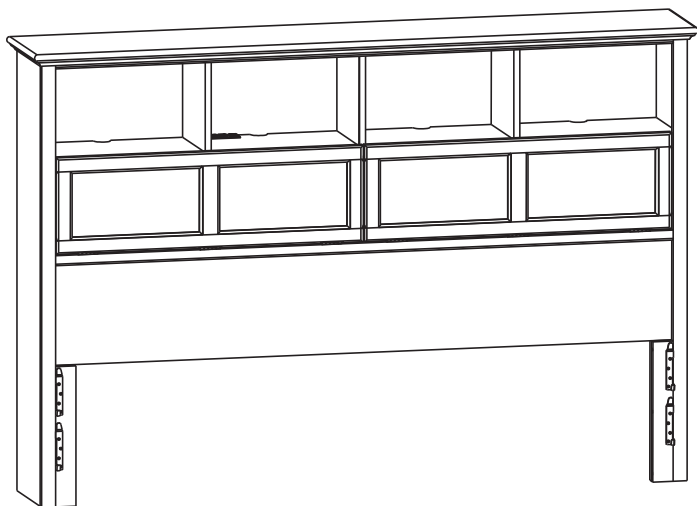
Model #

1382AFGAC; 1382AFCAF

AFGAC = Glazed Antique Cherry finish

AFCAF = Caffè finish

Assembly Instructions



Congratulations!

This fine piece of furniture will make a gorgeous addition to your home. For the best results, read the Assembly Instructions you begin your project.



IMPORTANT NOTES:

- For normal household use only. **Not** recommended for commercial use.
- Unload items before you move this unit.
- Before you load or move this unit, check to make sure all screws and supports are tight.
- Do not overload the concealed storage areas.
- Do not overload the cubbies.
- Before you begin your project, completely read the Assembly Instructions.
- Store this item: 1- in its box; 2- in a dry place; 3- in temperatures that range from 40°F to 90°F (not on a cold and possibly damp cement floor).
- Periodically inspect your furniture for any loose glue joints, screws or any other problem that might affect the stability of your furniture. Tighten or repair as needed.

DESIGN SUBJECT TO CHANGE WITHOUT NOTICE.



CALL US FIRST! *Do not return this item to the store.*

Service Policy: We will replace any part that is defective, missing or damaged during assembly. Please contact Whittier Wood Products customer service department directly by phone, fax, mail or email for a replacement part.

Hours: Our friendly customer service staff can be reached Monday-Friday 7:00 a.m. to 5:00 p.m. (Pacific Time). You may leave a message 24 hours a day, seven days a week.

To Order: Designate the finish, provide the furniture model number (upper portion of this page), the part letter, production code, quantity needed, reason for replacement and your full name, address and telephone number.

Parts ship from our Eugene, Oregon factory within one or two business days from the time we receive your request. Please allow five to ten business days for delivery.

800-653-3336 • Outside the U.S. or Canada: 541-687-0213 • Fax: 541-687-2060
www.whittierwood.com • P.O. Box 2827 • Eugene, Oregon 97402, U.S.A.

**Whittier
Wood**
FURNITURE

P.O. Box 2827
Eugene, OR 97402 USA

Production Code:

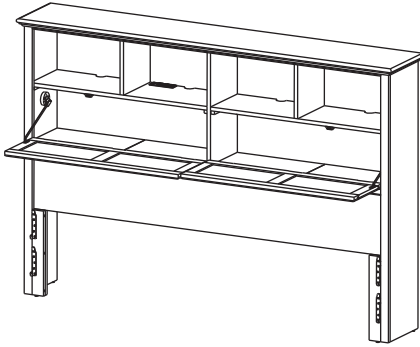
VN

06/10

1382AFGAC; 1382AFCAF McKenzie Bookcase Cal-King Headboard — Parts List

Please identify the parts and check that quantities received match those on this list.
If you need to replace a part, refer to the following letter and model name.

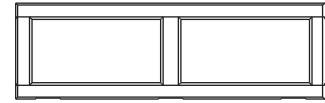
1382AFGAC; 1382AFCAF Headboard Kit (x1)



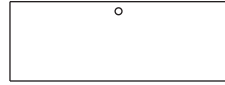
A — Headboard Assembly
— Qty. 1



E — #8 x 1-1/4" Black
Screw — Qty. 53 (inserted)



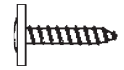
R — Assembled Door
— Qty. 2 (attached)



S — False Bottom
— Qty. 4



X — Power Strip
— Qty. 1 (installed)



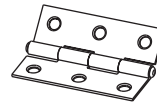
Y — #8x7/8" LoProfile Screw
— Qty. 4 (inserted)



YA — Large Adjustable Glide
— Qty. 2 (installed)



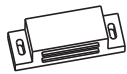
YB — #8 x 5/8" Pan Head
Screw — Qty. 8 (inserted)



ZA — Hinge
— Qty. 6 (installed)



ZB — Magnetic Plate
— Qty. 4 (installed)



ZC — Magnetic Catch
— Qty. 4 (installed)



ZD — #5x5/8" Flat Head
Screw — Qty. 8 (inserted)



ZE — Door Stay
— Qty. 2 (attached)



ZF — #6x5/8" Undercut
Screw — Qty. 8 (inserted)



ZG — Door Stay Support
— Qty. 2 (attached)



ZH — #6 x 1-1/4" Black Pan
Head Screw — Qty. 6
(inserted)



ZI — #6x5/8" Flat Head
Screw — Qty. 36
(inserted)



ZJ — #6x5/8" Philtruss
Screw — Qty. 8 (inserted)



ZK — Washer
— Qty. 6



ZL — #12 x 1-1/4" Pan Head
Screw — Qty. 6



ZN — #8 x 1-1/4" Pan Head
Screw — Qty. 13 (inserted)



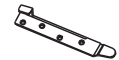
ZO — #8 x 2-1/4" Black
Screw — Qty. 6 (inserted)



ZP — #8 x 1" Black
Screw — Qty. 16 (inserted)



ZQ — Left Bracket
— Qty. 2 (attached)



ZR — Right Bracket
— Qty. 2 (attached)



ZS — Wire Clip
Screw — Qty. 8 (attached)



ZT — Tack Glide
— Qty. 4 (attached)



ZZ — Corner Brace
— Qty. 2 (attached)

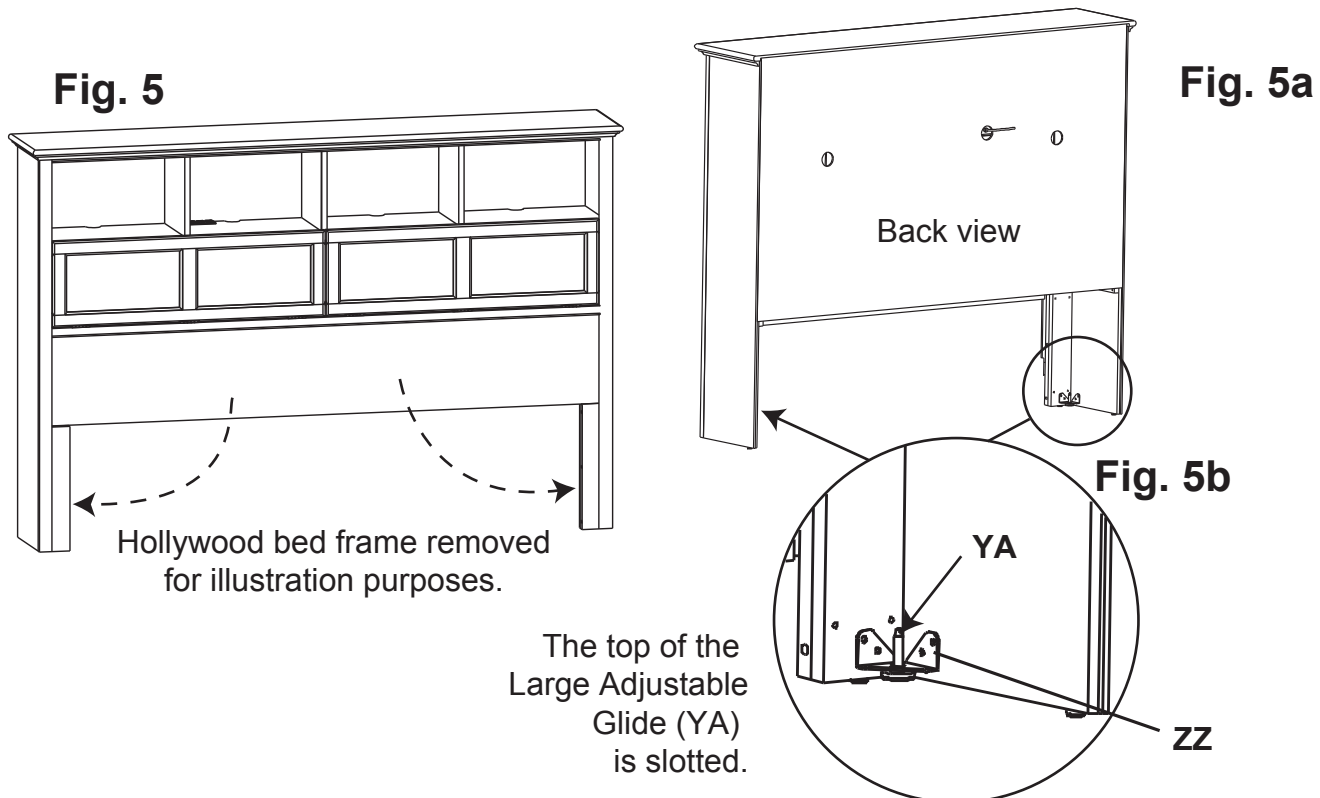
1382AFGAC; 1382AFCAF McKenzie Bookcase Cal-King Headboard Assembly Instructions

Tools required: Drill, 1/8" bit, Phillips screwdriver, Slotted screwdriver

NOTE: Use this instruction and hardware kit included with this 1382 McKenzie Bookcase Cal-King Headboard **ONLY** if you are using a Hollywood frame.

IF you are using this product with Whittier Wood Furniture Footboard and Pedestal kits, disregard this instruction and hardware and use what is included with your Footboard kit.

1. Remove the metal brackets attached to the Headboard (A).
2. Adjust the Hollywood frame to fit your mattress and box spring.
3. Place the Headboard (A) against the end brackets of the frame and mark the locations for the screws. Drill pilot holes approximately 1-1/4" deep. To make sure you don't drill deeper, measure 1-1/4" up from the end of the drill bit and wrap a piece of tape around the bit. Stop drilling when the edge of the tape meets the wood.
4. Position the Headboard (A) against the frame and attach using #12 x 1-1/4" Pan Head Screws (ZL) and Washers (ZK).



5. Place your bed in its final position. To level the headboard, reach behind the bookcase front legs and using a slotted screwdriver, find the Large Adjustable Glide (YA). Rotate it clockwise until the Glide bears weight. See Figures 5, 5a and 5b.

THIS IS ESPECIALLY IMPORTANT IF THE BOOKCASE HEADBOARD SITS UPON A CARPET TACK STRIP.

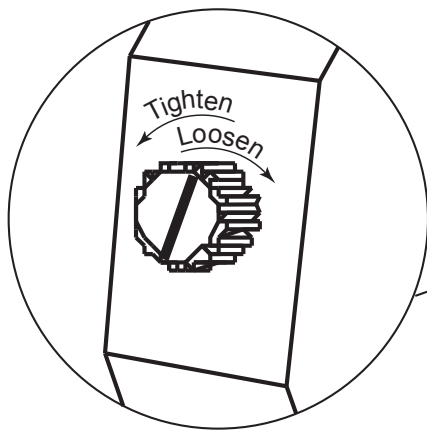


Fig. 6a

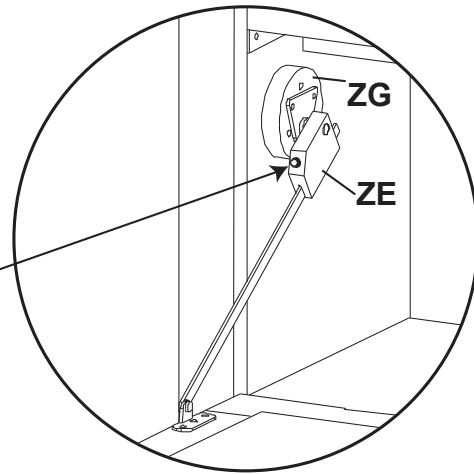


Fig. 6

6. Open the Door (R). To adjust the brake tension on the Door Stay (ZE), turn the screw on the Door Stay Support (ZG) **clockwise to loosen or counterclockwise to tighten**.

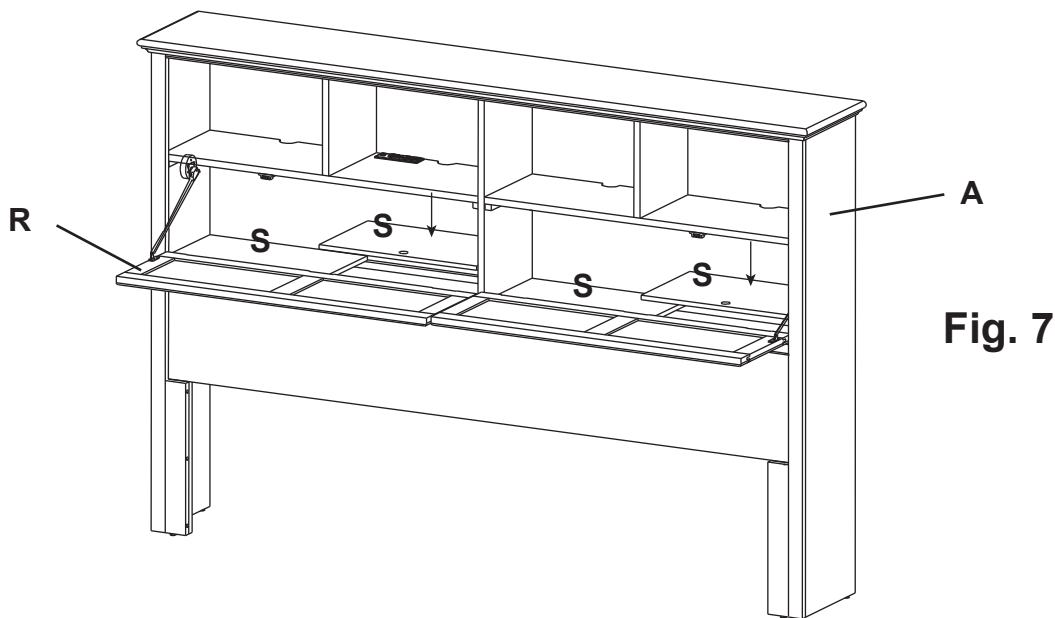


Fig. 7

7. Unwrap the False Bottoms (S) and place them on top of the rails in the Headboard Assembly (A). Make sure the finger holes face forward as shown in Figure 7.

After you have placed your electronics inside the cubbies, use the Wire Clips (ZS) found on the bottom face of the cubbies to secure the wires.

8. Close the door tightly, making sure the magnetic catches and plates securely touch.