

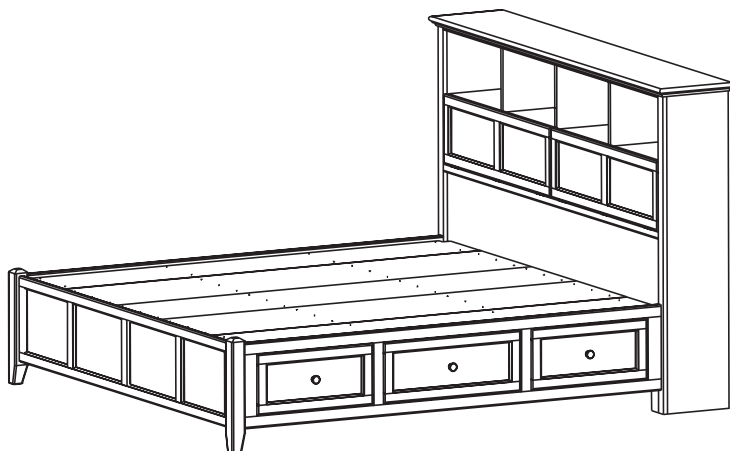
Model #

1380AFGACb; 1380AFCAFb

McKenzie Cal-King Bookcase Storage Bed

AFGAC = Glazed Antique Cherry finish
AFCAF = Caffè finish

Assembly Instructions



Congratulations!

This fine piece of furniture will make a gorgeous addition to your home. For the best results, read the Assembly Instructions before you begin your project.

IMPORTANT NOTES:

- For normal household use only. **Not** recommended for commercial use.
- Unload items before you move this unit.
- Before you load or move this item, tighten all screws and supports.
- Do not overload the concealed storage areas.
- Do not overload the drawers.
- Before you begin your project, completely read the Assembly Instructions.
- Store this item: 1- in its box; 2- in a dry place; 3- in temperatures that range from 40°F to 90°F (not on a cold and possibly damp cement floor).
- Periodically inspect your furniture for any loose glue joints, screws or any other problem that might affect the stability of your furniture. Tighten or repair as needed.
- This assembly requires two people.

DESIGN SUBJECT TO CHANGE WITHOUT NOTICE.



CALL US FIRST! *Do not return this item to the store.*

Service Policy: We will replace any part that is defective, missing or damaged during assembly. For a replacement part, directly contact Whittier Wood Products customer service department by phone, fax, mail or email.

Hours: Our friendly customer service staff can be reached Monday-Friday 7:00 a.m. to 5:00 p.m. (Pacific Time). You may leave a message 24 hours a day, seven days a week.

To Order: Provide the finish and furniture model number (upper portion of this page), the part letter, production code, quantity needed, reason for replacement and your full name, address and telephone number.

Parts ship from our Eugene, Oregon factory within one or two business days from the time we receive your request. Please allow five to ten business days for delivery.

800-653-3336 • Outside the U.S. or Canada: 541-687-0213 • Fax: 541-687-2060
www.whittierwood.com • P.O. Box 2827 • Eugene, Oregon 97402, U.S.A.

**Whittier
Wood**
FURNITURE

P.O. Box 2827
Eugene, OR 97402 USA

Production Code:

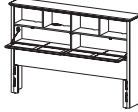






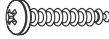
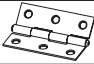

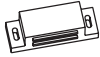














VN

12/10

1380AFGACb; 1380AFCAFb McKenzie Cal-King Bookcase Storage Bed — Parts List

Please identify the parts and check that quantities received match those on this list.
If you need to replace a part, refer to the following letter and model name.

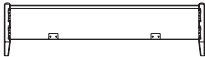














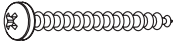


1382AFGAC; 1382AFCAF Headboard Kit (x1)

Part	Description	Quantity
A	Headboard Assembly 	1
E	#8x1-1/4" Black Screw (inserted) 	61
R	Assembled Door (attached) 	2
S	False Bottom 	4
X	Power Strip (installed) 	1
Y	#8x7/8" Lo-Profile Screw (inserted) 	4
YA	Large Adjustable Glide (installed) 	2
YB	#8 x 5/8" Pan Head Screw (inserted) 	8
ZA	Hinge (installed) 	6
ZB	Magnetic Plate (installed) 	4
ZC	Magnetic Catch (installed) 	4
ZE	Door Stay (attached) 	2
ZF	#6x5/8" Undercut Screw (inserted) 	16 (AFGAC) 52 (AFCAF)
ZG	Door Stay Support (attached) 	2
ZH	#6x1-1/4" Black Pan Head Screw (inserted) 	6
ZI	#6x5/8" Flat Head Screw (inserted) 	36 (AFGAC) 0 (AFCAF)
ZJ	#6x5/8" Philtruss Screw (inserted) 	8
ZN	#8x1-1/4" Pan Head Screw (inserted) 	13
ZO	#8x2-1/4" Black Screw (inserted) 	6
ZP	#8x1" Black Screw (inserted) 	16
ZQ	Left Bracket (attached) 	2
ZR	Right Bracket (attached) 	2
ZS	Wire Clip Screw (attached) 	8
ZT	Tack Glide (attached) 	4
ZZ	Corner Brace (attached) 	2

1380AFGACb; 1380AFCAFb McKenzie Cal-King Bookcase Storage Bed — Parts List continued

Please identify the parts and check that quantities received match those on this list.
If you need to replace a part, refer to the following letter and model name.



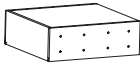


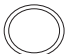










1383AFGACa; 1383AFCAFa Footboard Kit (x1)

Part	Description	Quantity
Ba	Footboard Assembly 	1
Da	Trestle With T-Nuts 	7
E	#8x1-1/4" Black Screw 	45 (9 inserted)
F	1/4" x 1-3/4" Hex Bolt 	26
H	Washer 	26
Ua	Foot Assembly 	3
W	Adjustable Glide (installed) 	3
YC	Short Center Deckboard 	1
YD	#6 x 1/2" Philtruss Screw 	8
YF	90° Bracket 	2
ZM	Long Center Deckboard 	1
ZP	#8x1" Black Screw (inserted) 	16
ZQ	Left Bracket (attached) 	2
ZR	Right Bracket (attached) 	2
ZU	1/4" T-Nut (inserted) 	28
ZV	#8x20mm Pan Head Screw (inserted) 	12
ZX	#8x1-5/8" Black Screw (inserted) 	4
ZY	Foot Bracket (attached) 	3

1380AFGACb; 1380AFCAFb McKenzie Cal-King Bookcase Storage Bed — Parts List continued

Please identify the parts and check that quantities received match those on this list.
If you need to replace a part, refer to the following letter and model name.

1335AFGACa; 1335AFCAFa Pedestal Kit (x2)

Part	Description	Quantity
E	#8 x 1-1/4" Black Screw (inserted) 	32
lb	Pedestal Kit 	1
J	Drawer Box (assembled) 	3
L	Drawer Face (attached) 	3
N	#8 x 1-1/2" Machine Screw (installed) 	3
O	Knob (attached) 	3
P	Deckboard 	1
Q	Drawer Slides (installed) 	3 sets
T	#8 x 2" Black Screw (inserted) 	12
Y	#8 x 7/8" Lo-Profile Screw (inserted) 	24
YD	#6 x 1/2" Philtruss Screw (inserted) 	18
YE	#6 x 3/4" Philtruss Screw (inserted) 	18
ZP	#8 x 1" Black Screw (inserted) 	16
ZQ	Left Bracket (attached) 	2
ZR	Right Bracket (attached) 	2
ZX	#8x1-5/8" Black Screw (inserted) 	16

1380AFGACb; 1380AFCAFb McKenzie Cal-King Bookcase Storage Bed Assembly Instructions

This assembly requires two people

Tools required: Phillips screwdriver, 7/16" wrench, Padded hammer or mallet; Tape measure

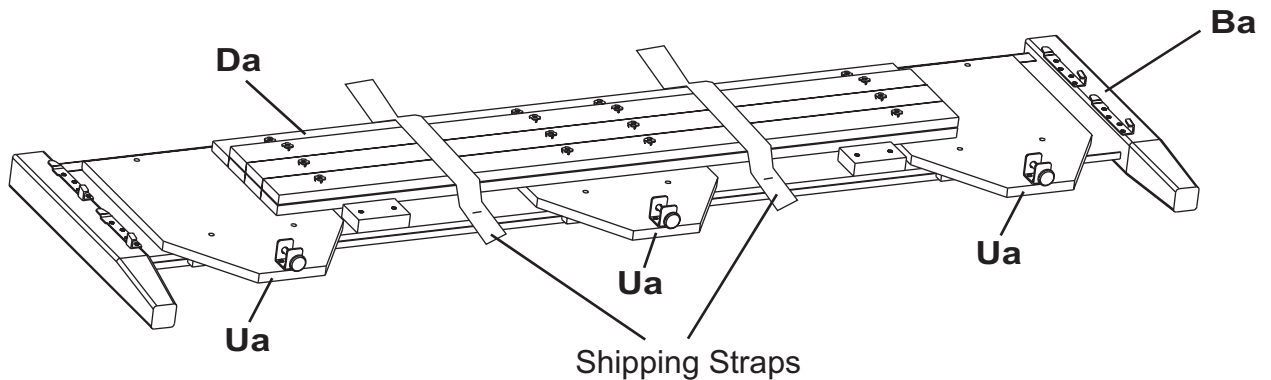


Fig. 1

1. Remove the Trestles (Da) and Foot Assemblies (Ua) from the back of the Footboard (Ba) and place them off to the side. See Figure 1.
-

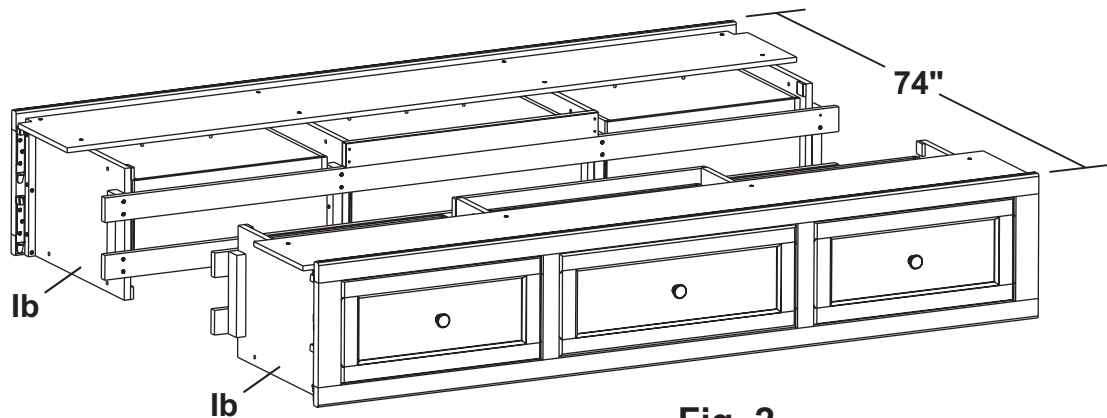


Fig. 2

2. Place both Pedestals (lb) approximately 74" apart as shown in Figure 2.

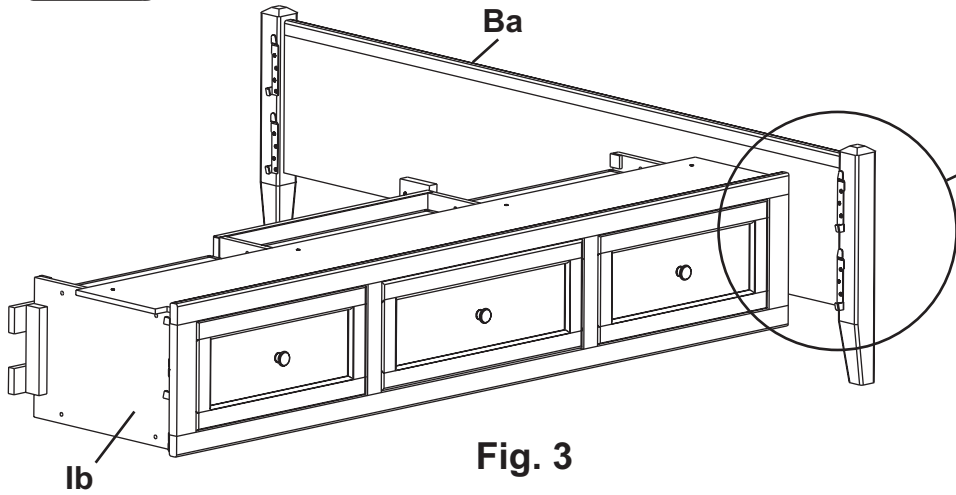


Fig. 3

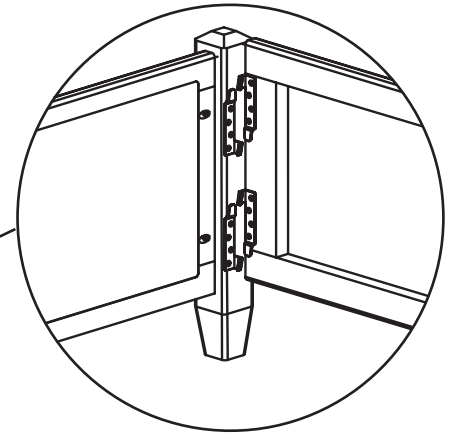


Fig. 3a

3. To attach the Footboard (Ba) to the Pedestal Assembly (lb), align the Brackets and slide the Pedestal Assembly down on to the Footboard (Ba). See Figures 3 and 3a.

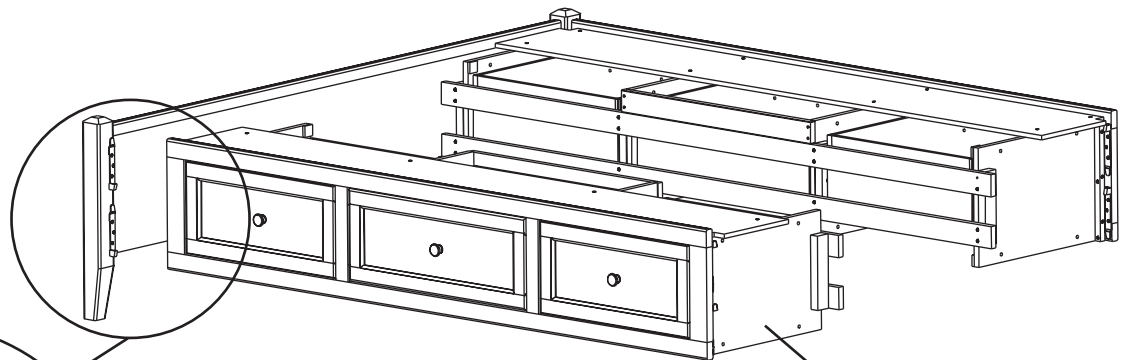


Fig. 4

lb

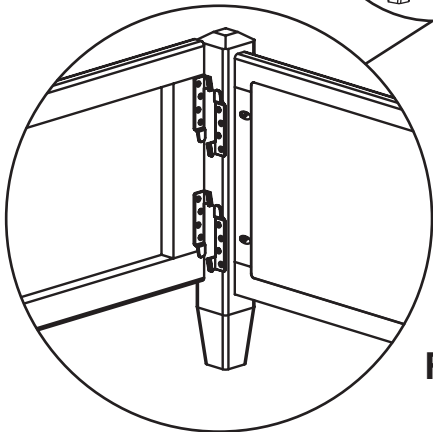


Fig. 4a

4. Repeat step three for the left side.

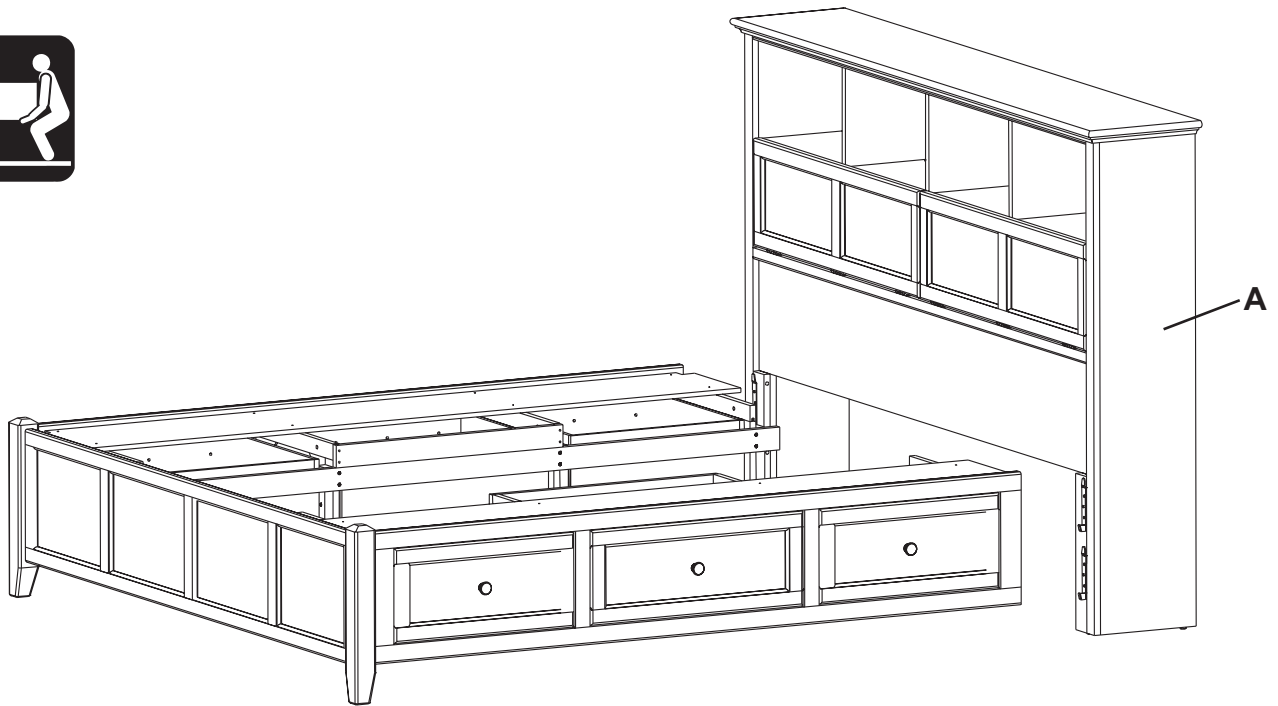


Fig. 5

5. Align the Brackets on both sides and slide the Pedestal/Footboard assembly down on to the Headboard (A). See Figure 5.

IMPORTANT NOTE: If you have a Pedestal that has open ribs (see Figure A), follow the instructions on beginning on page 8. If you have a Pedestal that has solid braces (see Figure B), follow the instructions beginning on page 10.

Figure A

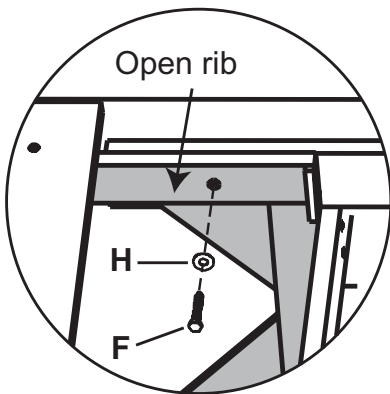
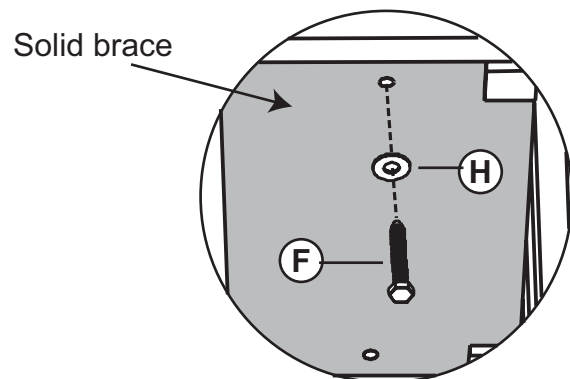


Figure B



Open Rib Version

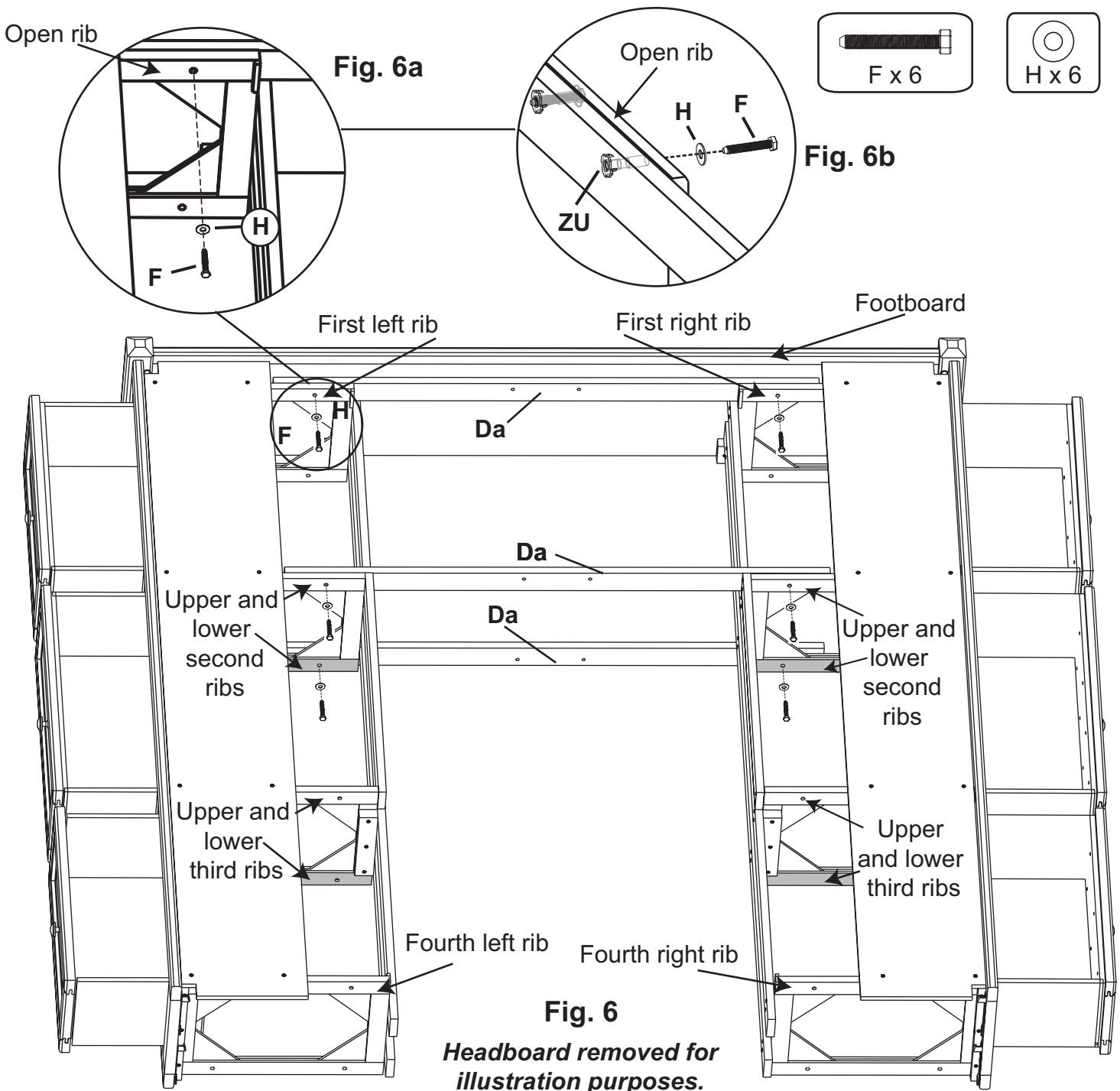


Fig. 6
Headboard removed for illustration purposes.

- Open the drawers. Face the Footboard and stand in between the first and second ribs. Place a Trestle with T-Nuts (Da) on the outside surfaces of the first upper left and right ribs so that the T-Nuts (ZU) sit near the top. See Figures 6a and 6b. Line up the upper edges of the trestle and ribs so they are nearly flush. Insert two 1/4" x 1-3/4" Hex Bolts (F) and Washers (H) and tighten. Repeat for the second upper rib.

Place a Trestle with T-Nuts (Da) on the outside surface of the second **lower** rib so that the T-Nuts (ZU) sit near the bottom. Line up the bottom edges of the trestle and ribs so they are nearly flush. Insert two 1/4" x 1-3/4" Hex Bolts (F) and Washers (H) and and tighten. See Figures 6, 6a and 6b.

Fig. 7a

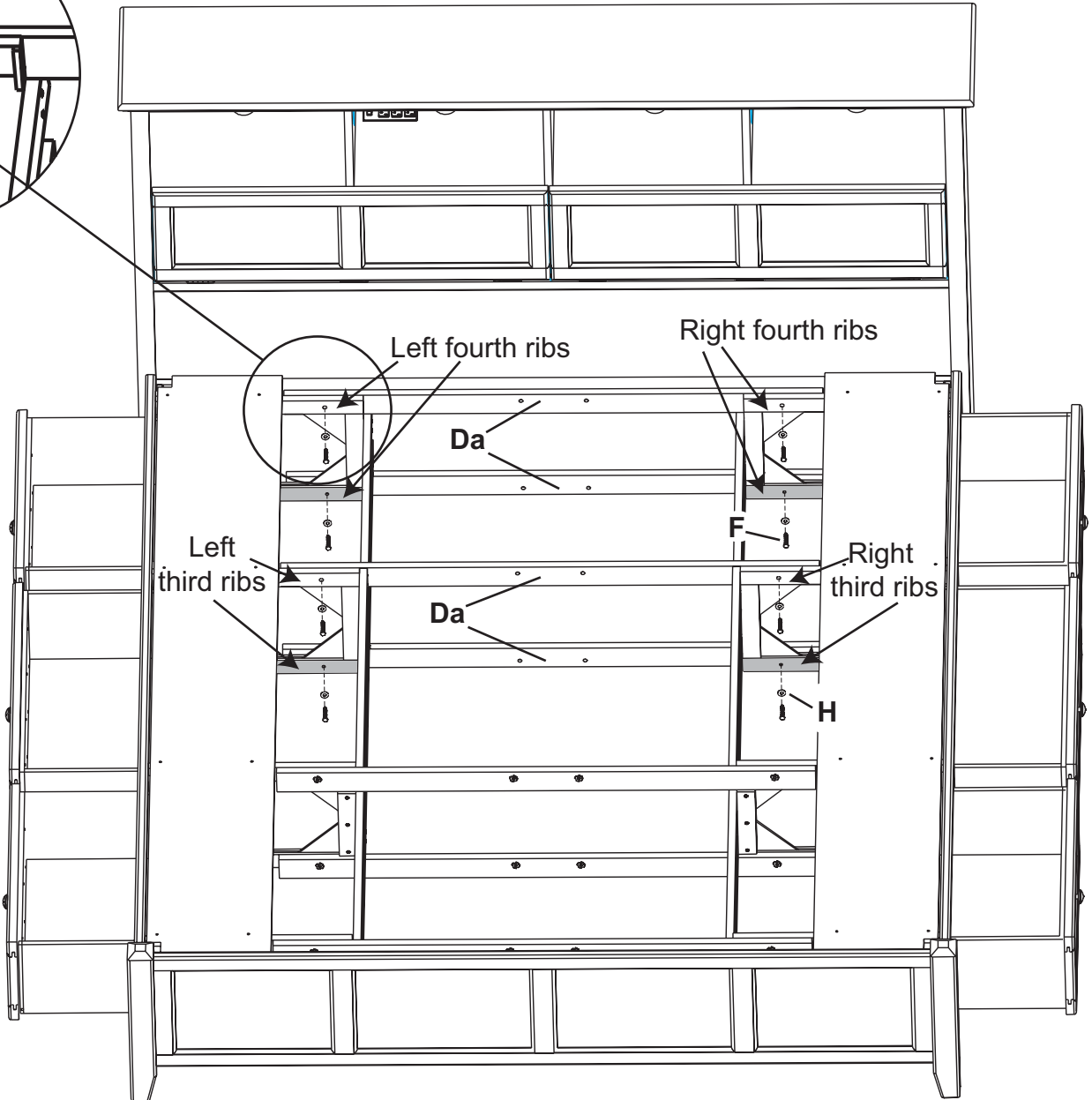
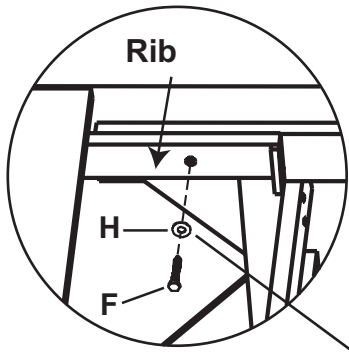


Fig. 7

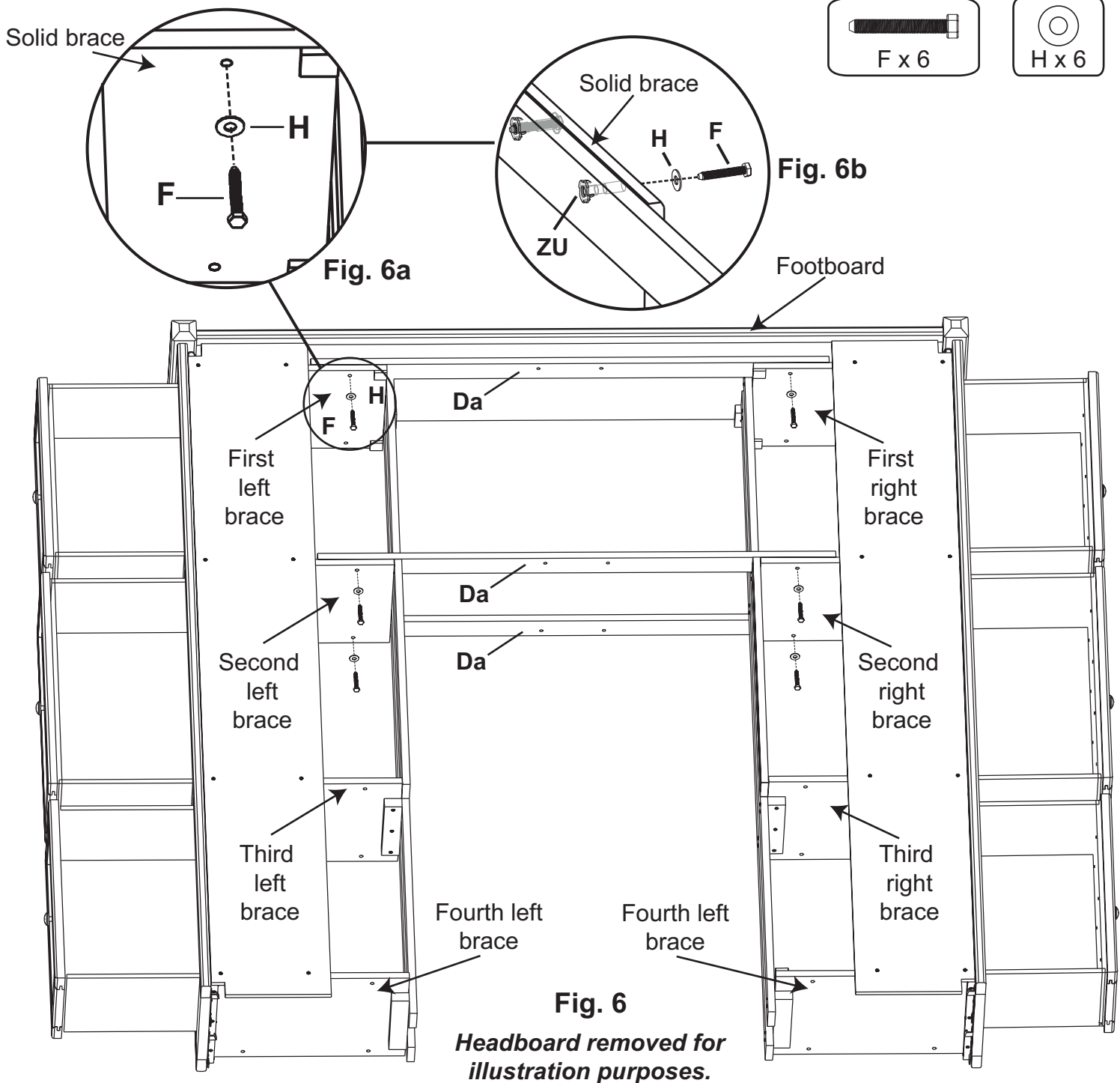
7. Face the Headboard and stand in between the third and fourth ribs. Place a Trestle with T-Nuts (Da) on the outside surfaces of the third upper left and right ribs so the t-nuts sit near the top. See Figures 7 and 7a. Line up the upper edges of the trestle and ribs so they are nearly flush. Insert two 1/4" x 1-3/4" Hex Bolts (F) and Washers (H) and tighten.

Place a Trestle with T-Nuts on the outside surface of the third left and right **lower** ribs so that the t-nuts sit near the bottom. Line up the bottom edges of the trestle and ribs so they are nearly flush. Insert two 1/4" x 1-3/4" Hex Bolts (F) and Washers (H) and and tighten. See Figures 7 and 7a.

Repeat for the fourth ribs.

Skip to page 12 and continue.

Solid Brace Version



6. Open the drawers. Face the Footboard and stand in between the first and second braces. Place a Trestle with T-Nuts (Da) on the outside surfaces of the first upper left and right braces so that the T-Nuts (ZU) sit near the top. See Figures 6a and 6b. Line up the upper edges of the trestle and braces so they are nearly flush. Insert two 1/4" x 1-3/4" Hex Bolts (F) and Washers (H) and tighten. Repeat for the second upper brace.

Place a Trestle with T-Nuts (Da) on the outside surface of the second **lower** brace so that the T-Nuts (ZU) sit near the bottom. Line up the bottom edges of the trestle and braces so they are nearly flush. Insert two 1/4" x 1-3/4" Hex Bolts (F) and Washers (H) and and tighten. See Figures 6, 6a and 6b.

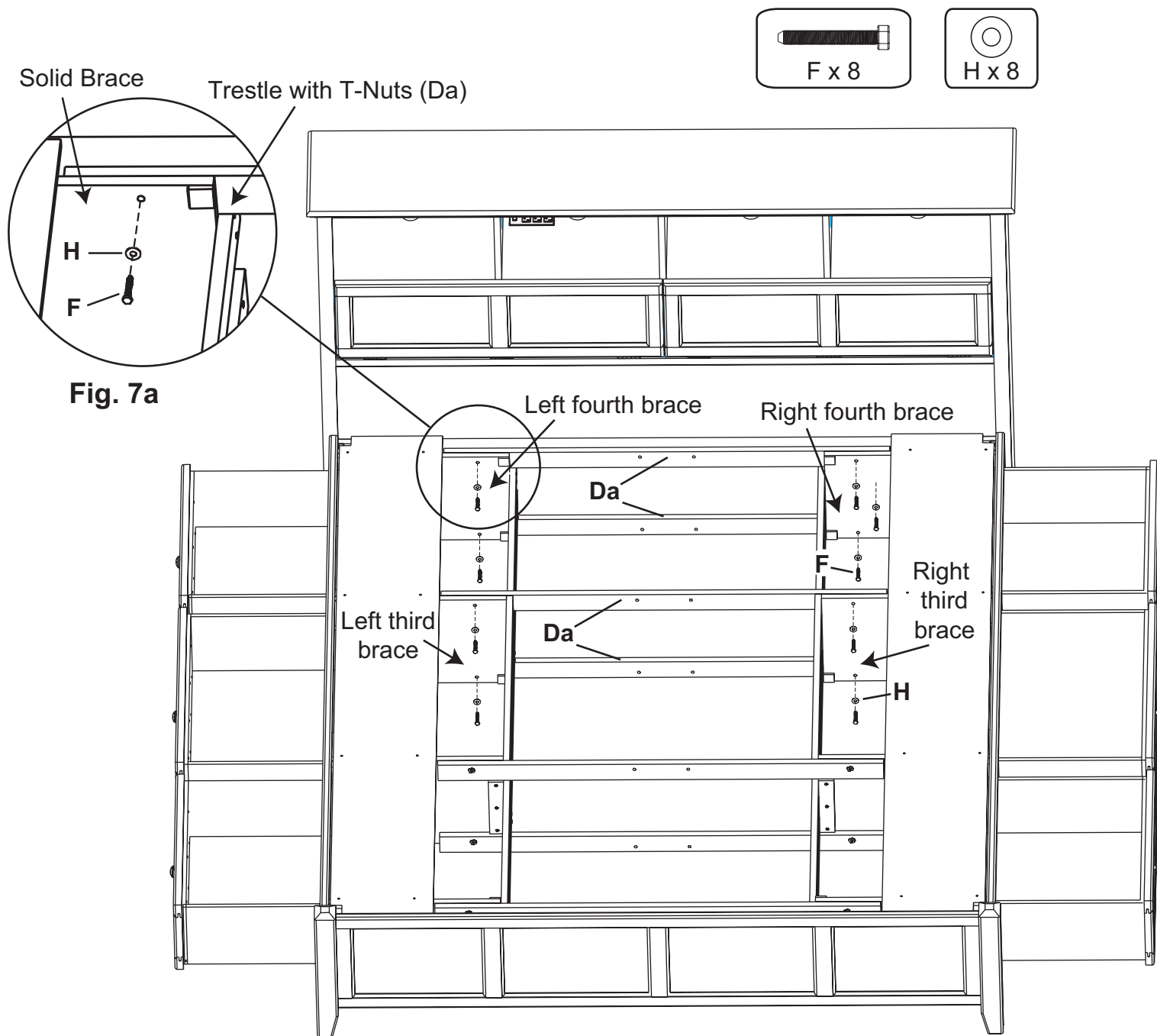


Fig. 7

7. Face the Headboard and stand in between the third and fourth braces. Place a Trestle with T-Nuts (Da) on the outside surfaces of the third upper left and right braces so the t-nuts sit near the top. See Figures 7 and 7a. Line up the upper edges of the trestle and braces so they are nearly flush. Insert two 1/4" x 1-3/4" Hex Bolts (F) and Washers (H) and tighten.

Place a Trestle with T-Nuts on the outside surface of the third left and right **lower** braces so that the t-nuts sit near the bottom. Line up the bottom edges of the trestle and braces so they are nearly flush. Insert two 1/4" x 1-3/4" Hex Bolts (F) and Washers (H) and and tighten. See Figures 7 and 7a.

Repeat for the fourth braces.

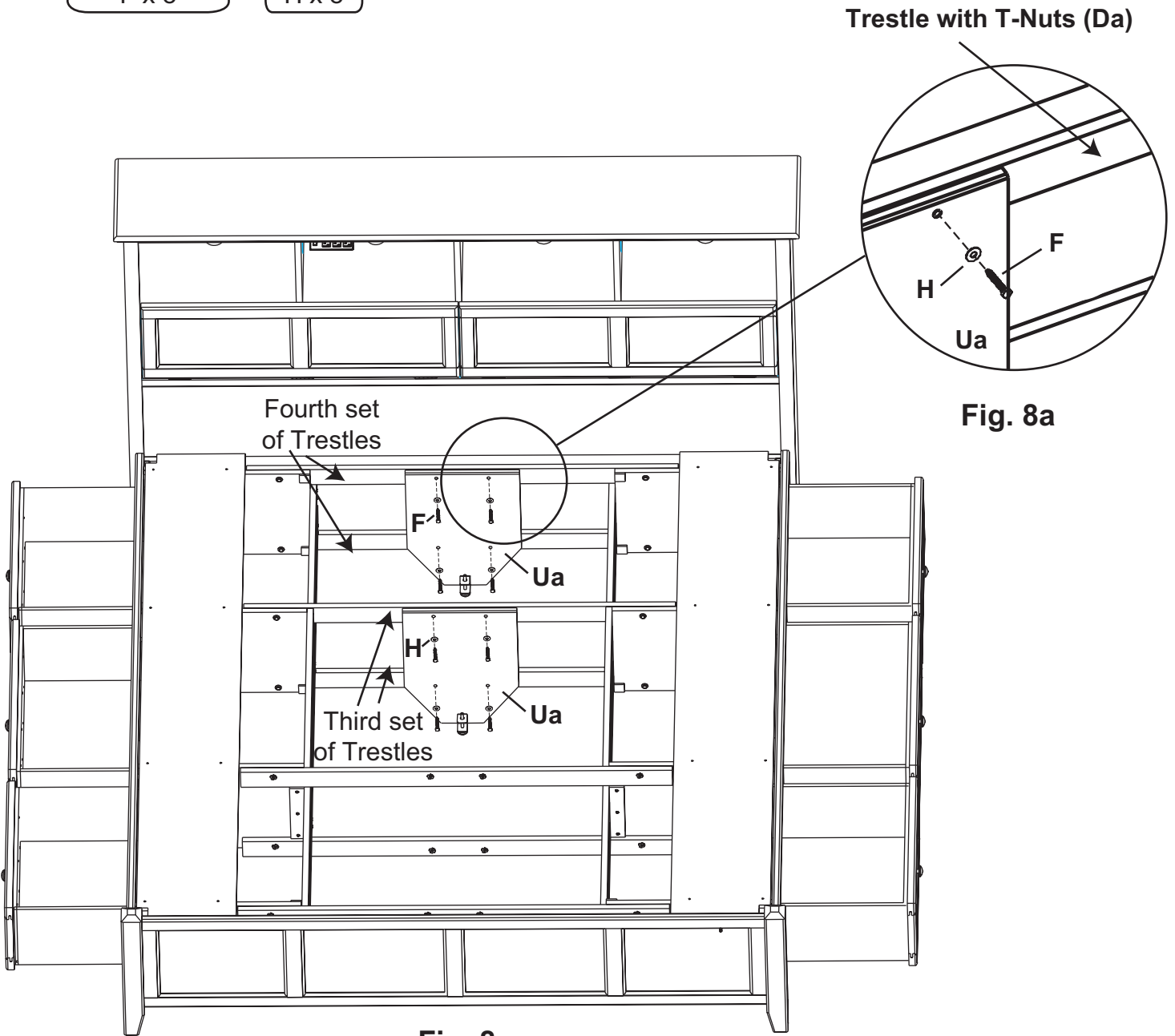


Fig. 8

Fig. 8a

8. Facing the Headboard, place two Foot Assemblies (Ua) on the **inside** faces of the third and fourth upper and lower Trestles. Attach with Washers (H) and 1/4" x 1-3/4" Hex Bolts (F). See Figures 8 and 8a.

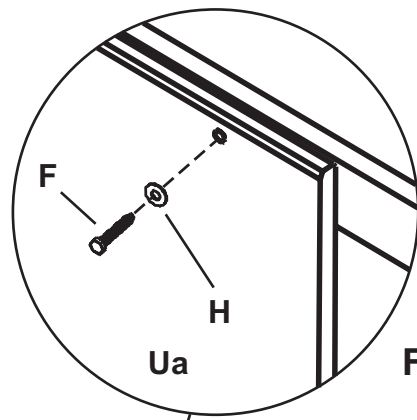


Fig. 9a

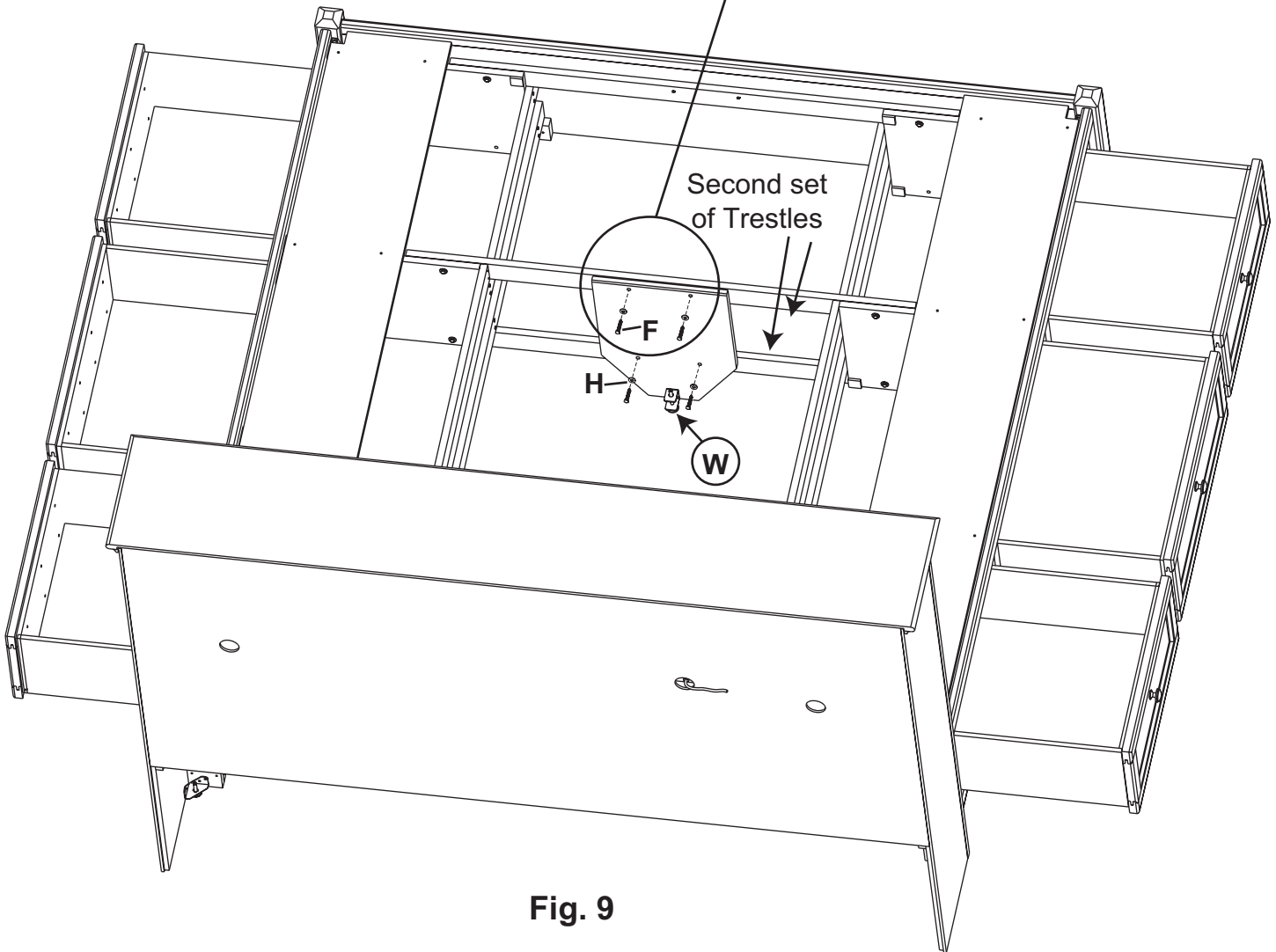


Fig. 9

9. Facing the Footboard, place a Foot Assembly (Ua) on the **inside** of the second set of Trestles and attach with four Washers (H) and four 1/4" x 1-3/4" Hex Bolts (F). See Figures 9 and 9a.

Adjust all three Glides (W) found at the bottoms of the Foot Assemblies so that the Glides just touch the floor.

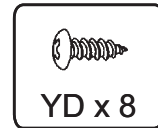


Fig. 10a

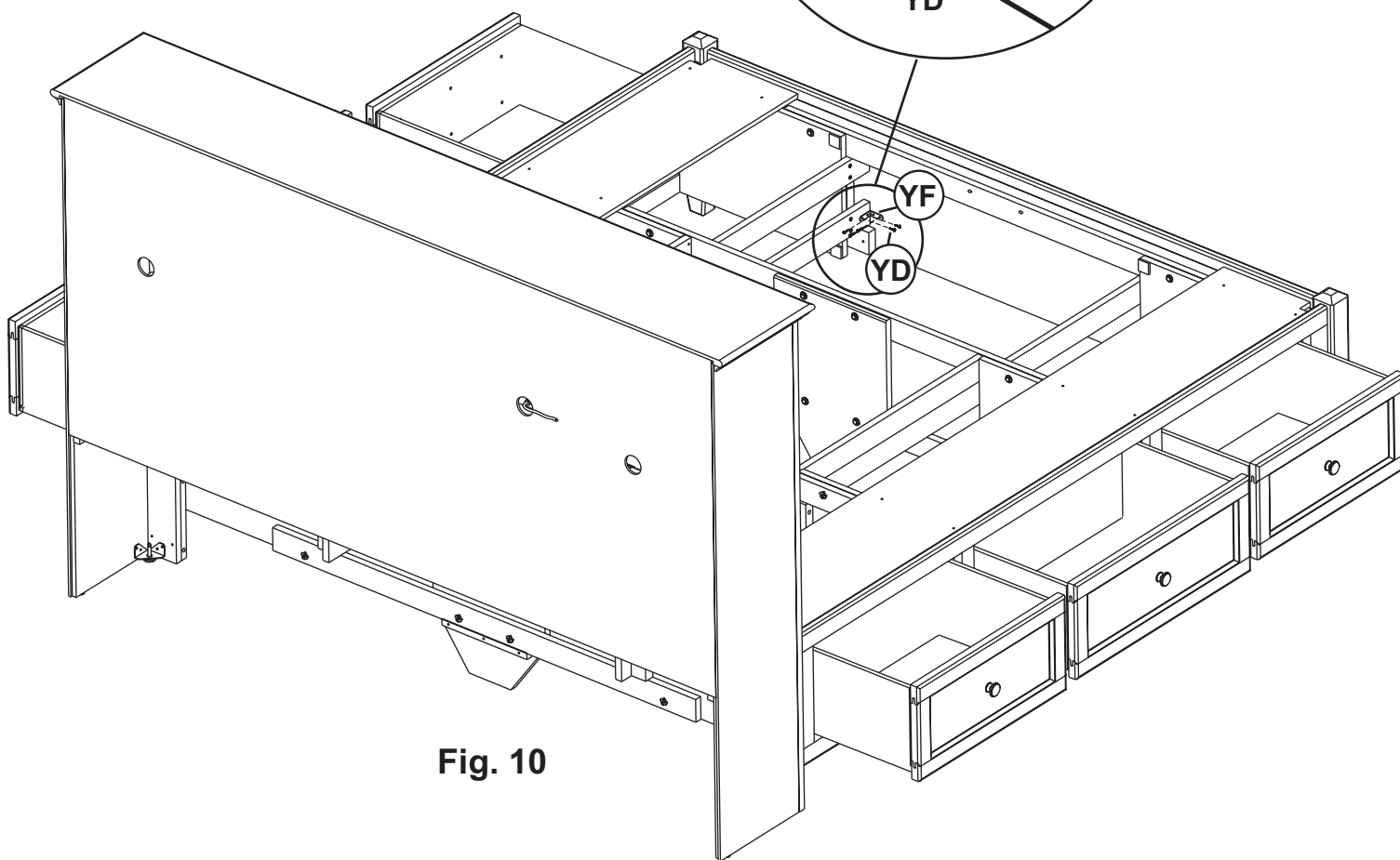
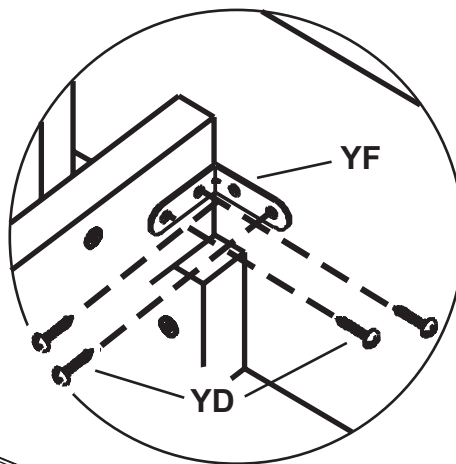


Fig. 10

10. Facing the Footboard, attach a 90° Bracket (YF) to the lower brace of the Pedestal Assembly with four #6 x 1/2" Philtruss Screws (YD). Repeat for the other side. See Figures 10 and 10a.

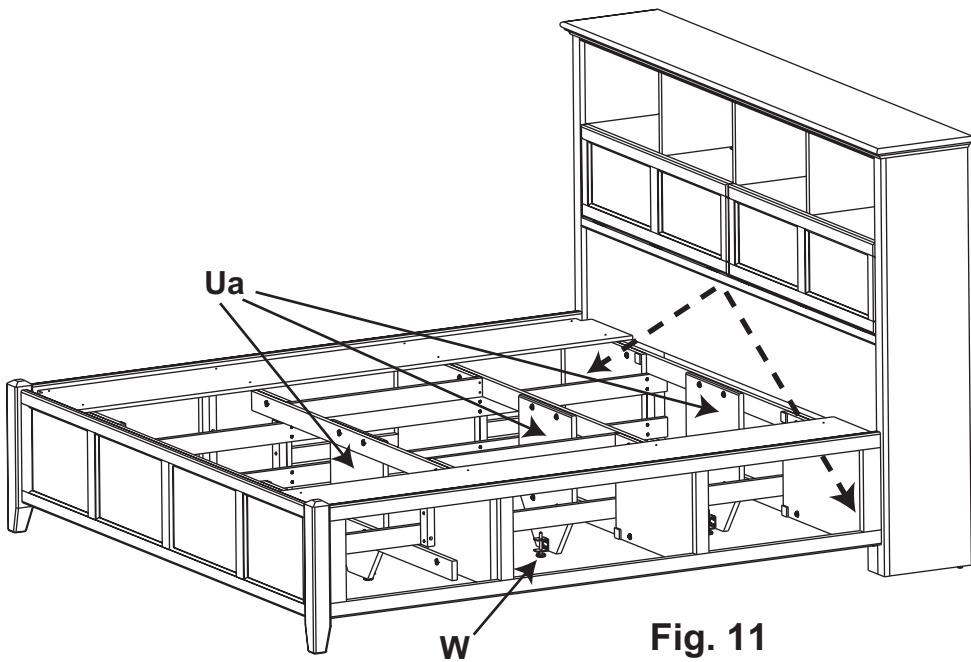


Fig. 11a

Fig. 11

Drawers removed for illustration purposes.

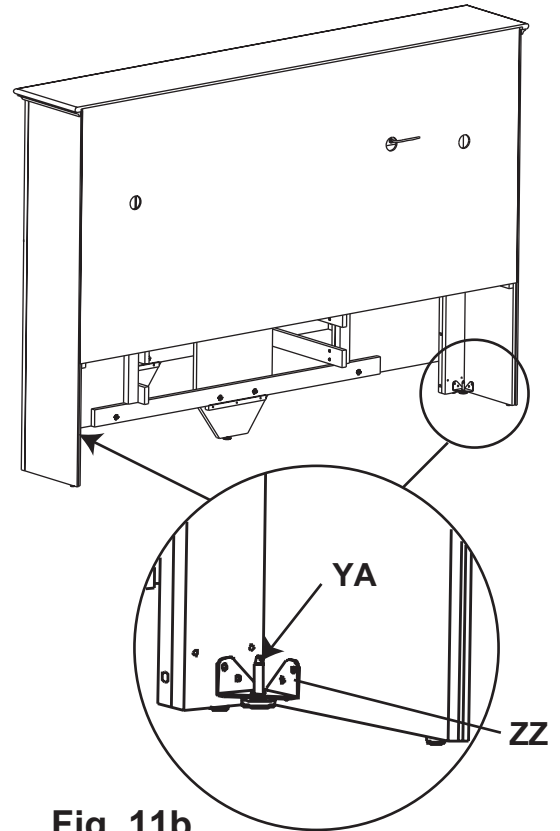


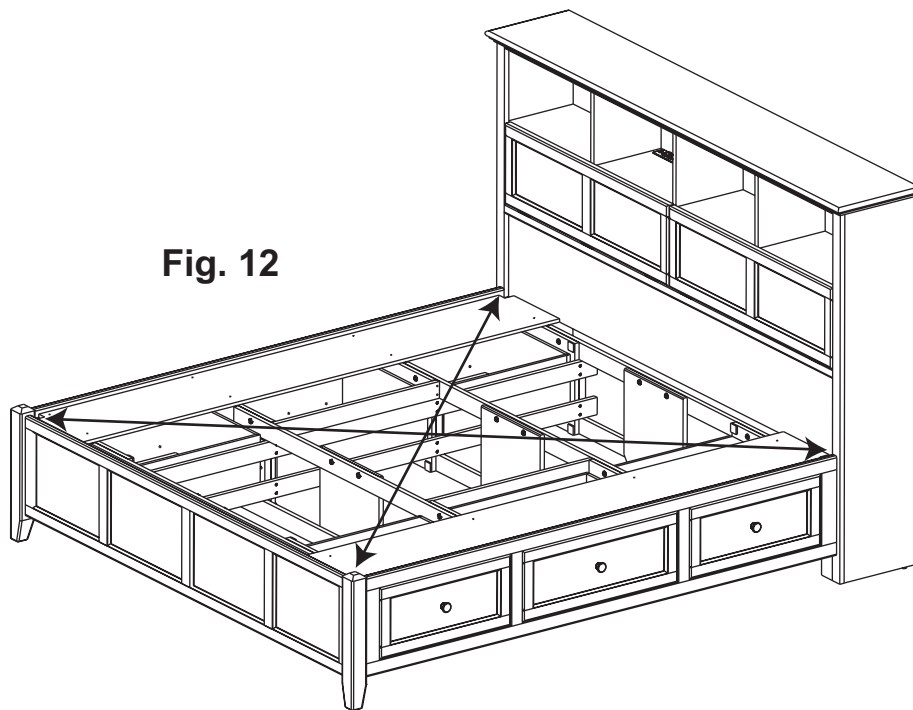
Fig. 11b

The top of the Large Adjustable Glide (YA) is slotted.

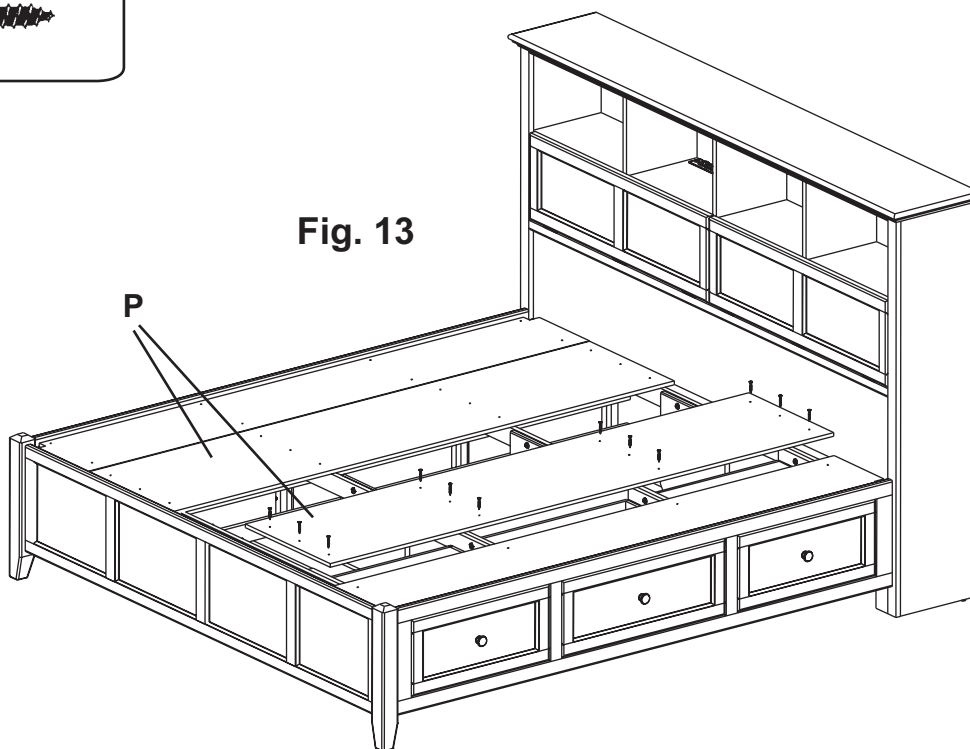
- Place your bed in its final position. Adjust all three Glides (W) found at the bottoms of the Foot Assemblies (Ua) so that the Glides just touch the floor. See Figure 11.

To level the headboard, stand in the open area in between the two attached deckboards and reach through the front of the platform. See Figure 11. Using a slotted screwdriver, rotate the Large Adjustable Glide (YA) clockwise until it bears weight. Repeat for the opposite side. See Figures 11a and 11b.

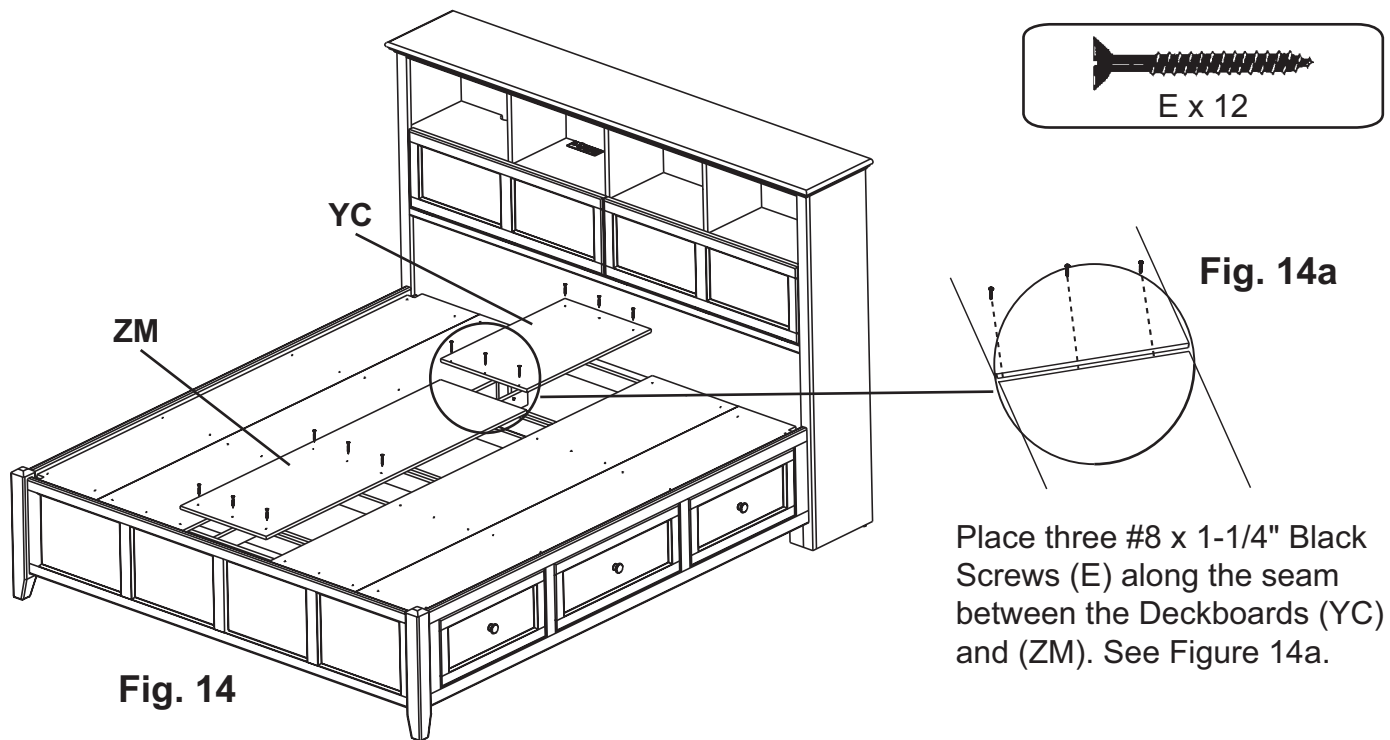
THIS IS ESPECIALLY IMPORTANT IF THE BOOKCASE HEADBOARD SITS UPON A CARPET TACK STRIP.



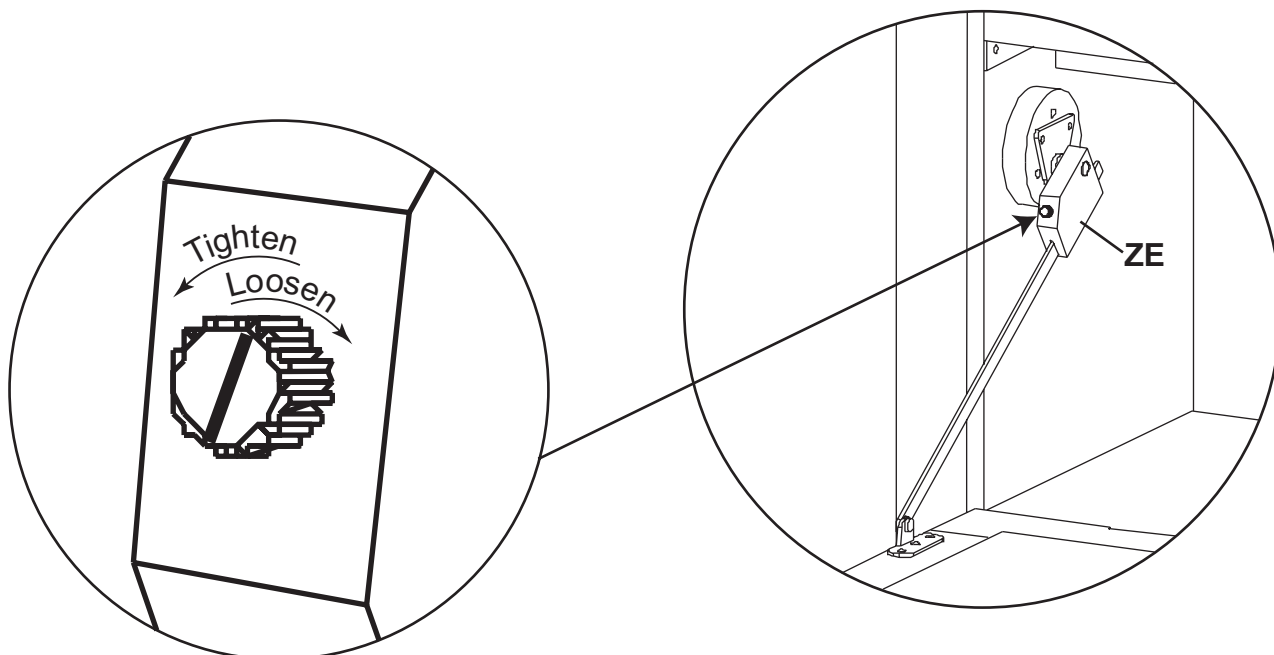
12. To make sure the bed is square, measure the distance between opposing corners. If one of the measurements is larger, tap on a footboard leg until the measurement is equal. See Figure 12.



13. Place the Deckboards (P) as shown in Figure 13. There should be a small gap between each deckboard. Secure with 24 #8x1-1/4" Screws (E).



14. Place the Long Center Deckboard (ZM) and Short Center Deckboard (YC) as shown in Figure 14 and secure with #8 x 1-1/4" Black Screws (E). If you need to readjust the center feet, remove the Long Center Deckboard (ZM), adjust the glides, and reattach the deckboard.



15. To adjust the brake tension on the Door Stay (ZE), turn the screw on the Door Stay clockwise to loosen or counterclockwise to tighten. See Figures 15 and 15a.

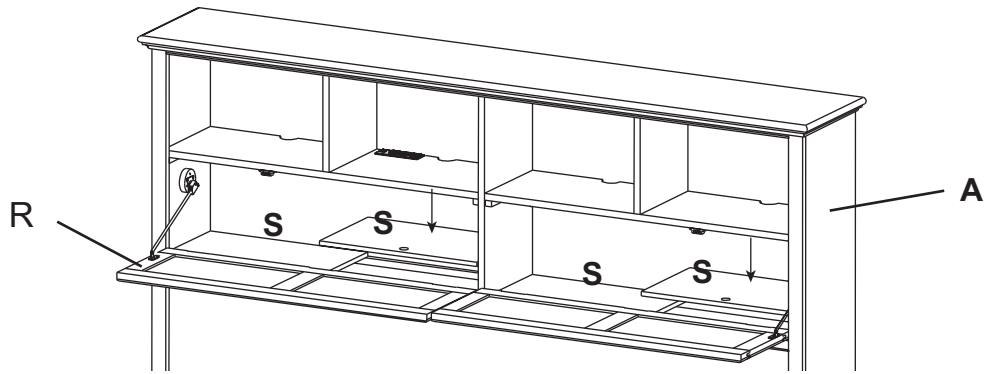


Fig. 16

- 16.** Unwrap the False Bottoms (S) and place them on top of the rails in the Headboard Assembly (A). Make sure the finger holes face forward as shown in Figure 16.

After you have placed your electronics inside the cubbies, use the Wire Clips (ZS) found underneath the cubbies to secure the wires.

-
- 17.** Close the door tightly, making sure the magnetic catches and plates securely touch. Sleep well, and enjoy!