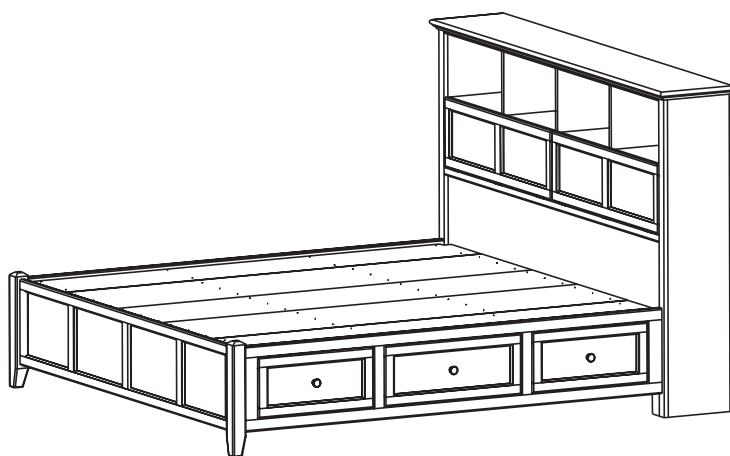


Model #

# 1375AUFb McKenzie King Bookcase Storage Bed

*Assembly Instructions*



## **Congratulations!**

*This fine piece of furniture will make a gorgeous addition to your home. For the best results, read the Assembly Instructions and Finishing Hints before you begin your project.*

## **IMPORTANT NOTES:**

- For normal household use only. **Not** recommended for commercial use.
- Unload items before you move this unit.
- Before you load or move this unit, tighten all screws and supports.
- Do not overload the concealed storage areas.
- Do not overload the drawers.
- Before you begin your project, completely read the Assembly Instructions and Finishing Hints.
- Store this item: 1- in its box; 2- in a dry place; 3- in temperatures that range from 40°F to 90°F (not on a cold and possibly damp cement floor).
- Periodically inspect your furniture for any loose glue joints, screws or any other problem that might affect the stability of your furniture. Tighten or repair as needed.
- This assembly requires two people.

**DESIGN SUBJECT TO CHANGE WITHOUT NOTICE.**



**CALL US FIRST!** *Do not return this item to the store.*

**Service Policy:** We will replace any part that is defective, missing or damaged during assembly. For a replacement part, contact Whittier Wood Products customer service department by phone, fax, mail or email.

**Hours:** Our friendly customer service staff can be reached Monday-Friday 7:00 a.m. to 5:00 p.m. (Pacific Time). You may leave a message 24 hours a day, seven days a week.

**To Order:** Provide the furniture model number (upper corner of this page), the part letter, production code, quantity needed, reason for replacement and your full name, address and telephone number.

*Parts ship from our Eugene, Oregon factory within one or two business days from the time we receive your request. Please allow five to ten business days for delivery.*

**800-653-3336** • Outside the U.S. or Canada: 541-687-0213 • Fax: 541-687-2060  
www.whittierwood.com • P.O. Box 2827 • Eugene, Oregon 97402, U.S.A.

**Whittier  
Wood**  
FURNITURE

P.O. Box 2827  
Eugene, OR 97402 USA

Production Code:

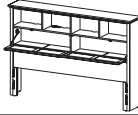






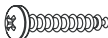
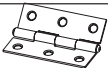






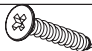









VN

12/10

# 1375AUFb McKenzie King Bookcase Storage Bed — Parts List

Please identify the parts and check that quantities received match those on this list.  
If you need to replace a part, refer to the following letter and model name.

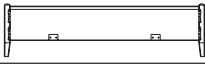













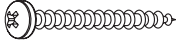


## 1377AUF Headboard Kit (x1)

Part	Description		Quantity
A	Headboard Assembly		1
E	#8 x 1-1/4" Black Screw (inserted)		61
R	Assembled Door (attached)		2
S	False Bottom		4
X	Power Strip (installed)		1
Y	#8 x 7/8" Lo-Profile Screw (inserted)		4
YA	Large Adjustable Glide (installed)		2
YB	#8 x 5/8" Pan Head Screw (inserted)		8
ZA	Hinge (installed)		6
ZB	Magnetic Plate (installed)		4
ZC	Magnetic Catch (installed)		4
ZE	Door Stay (attached)		2
ZF	#6x5/8" Undercut Screw (inserted)		16
ZG	Door Stay Support (attached)		2
ZH	#6 x 1-1/4" Black Pan Head Screw (inserted)		6
ZI	#6 x 5/8" Flat Head Screw (inserted)		36
ZJ	#6 x 5/8" Philtruss Screw (inserted)		8
ZN	#8 x 1-1/4" Pan Head Screw (inserted)		13
ZO	#8 x 2-1/4" Black Screw (inserted)		6
ZP	#8 x 1" Black Screw (inserted)		16
ZQ	Left Bracket (attached)		2
ZR	Right Bracket (attached)		2
ZS	Wire Clip Screw (attached)		8
ZT	Tack Glide (attached)		4
ZZ	Corner Brace (attached)		2

# 1375AUFb McKenzie King Bookcase Storage Bed — Parts List continued

Please identify the parts and check that quantities received match those on this list.  
If you need to replace a part, refer to the following letter and model name.



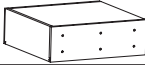

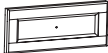


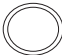
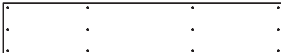
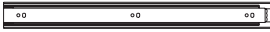

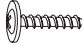






## 1378AUFa Footboard Kit (x1)

Part	Description	Quantity
Ba	Footboard Assembly 	1
Da	Trestle With T-Nuts 	7
E	#8 x 1-1/4" Black Screw 	45 (9 inserted)
F	1/4" x 1-3/4" Hex Bolt 	26
H	Washer 	26
Ua	Foot Assembly 	3
W	Adjustable Glide (installed) 	3
YD	#6 x 1/2" Philtruss Screw 	8
YF	90° Bracket 	2
ZM	Center Deckboard 	1
ZP	#8 x 1" Black Screw (inserted) 	16
ZQ	Left Bracket (attached) 	2
ZR	Right Bracket (attached) 	2
ZU	1/4" T-Nut (inserted) 	28
ZV	#8 x 20mm Pan Head Screw (inserted) 	12
ZX	#8 x 1-5/8" Black Screw (inserted) 	4
ZY	Foot Bracket (attached) 	3

# 1375AUFb McKenzie King Bookcase Storage Bed — Parts List continued

Please identify the parts and check that quantities received match those on this list.  
If you need to replace a part, refer to the following letter and model name.

## 1318AUFc Pedestal Kit (x2)

Part	Description	Quantity
E	#8 x 1-1/4" Black Screw (inserted) 	32
Ic	Pedestal Kit 	1
J	Small Drawer Box (assembled) 	2
K	Large Drawer Box (assembled) 	1
L	Small Drawer Face (attached) 	2
M	Large Drawer Face (attached) 	1
N	#8 x 1-1/2" Machine Screw (installed) 	3
O	Knob (attached) 	3
P	Deckboard 	1
Q	Drawer Slides (installed) 	3 sets
T	#8 x 2" Black Screw (inserted) 	12
Y	#8 x 7/8" Lo-Profile Screw (inserted) 	20
YD	#6 x 1/2" Philtruss Screw (inserted) 	18
YE	#6 x 3/4" Philtruss Screw (inserted) 	18
ZP	#8 x 1" Black Screw (inserted) 	16
ZQ	Left Bracket (attached) 	2
ZR	Right Bracket (attached) 	2
ZX	#8x1-5/8" Black Screw (inserted) 	16

# 1375AUFb McKenzie King Bookcase Storage Bed Assembly Instructions

This assembly requires two people

**Tools required:** Phillips screwdriver, Slotted screwdriver,  
7/16" wrench, Padded hammer or mallet; Tape measure

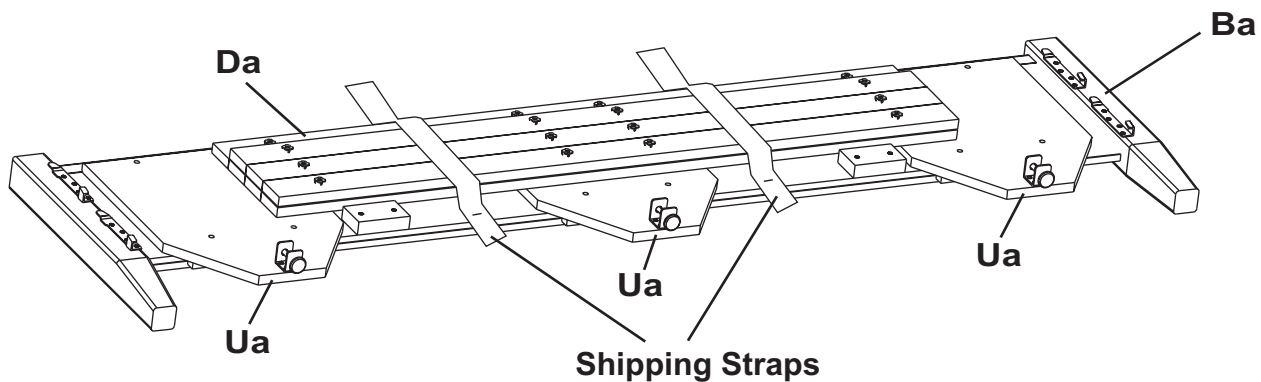


Fig. 1

1. Remove the Trestles (Da) and Foot Assemblies (Ua) from the back of the Footboard (Ba) and place them off to the side. See Figure 1.

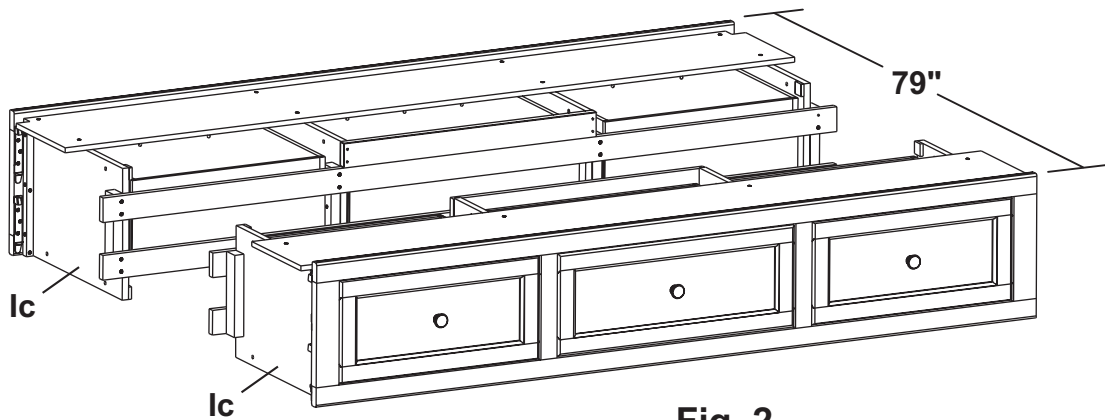
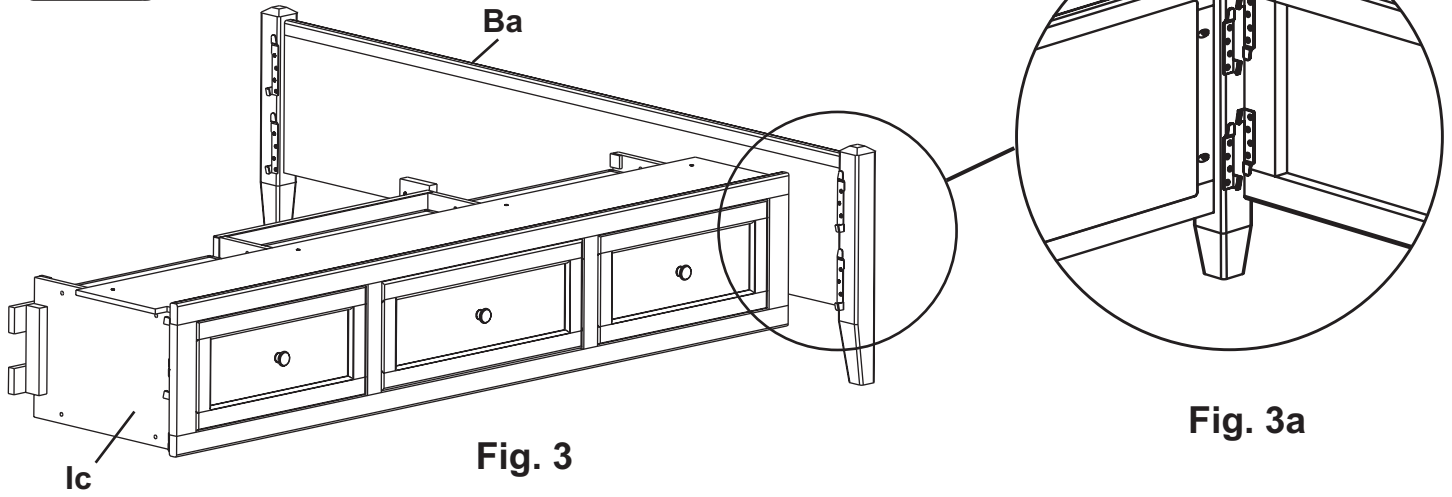
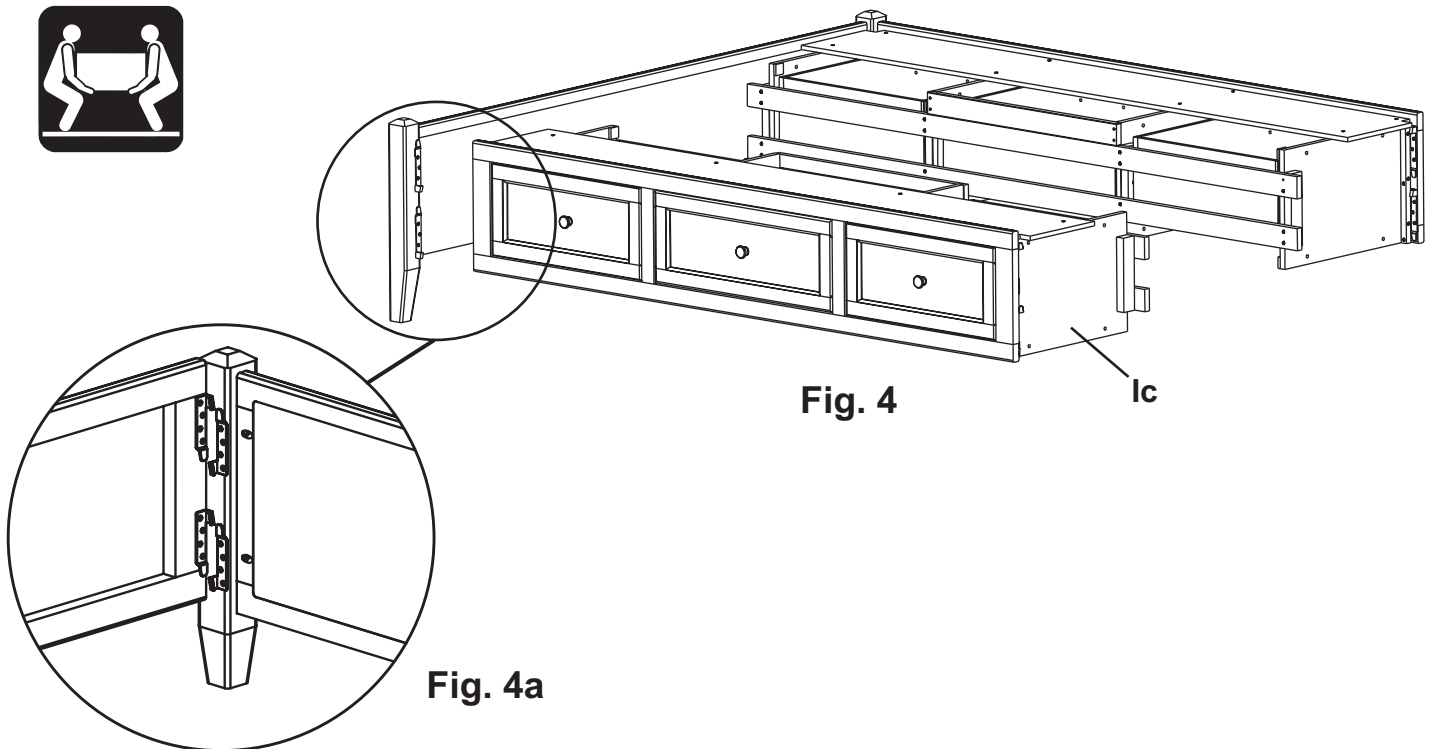


Fig. 2

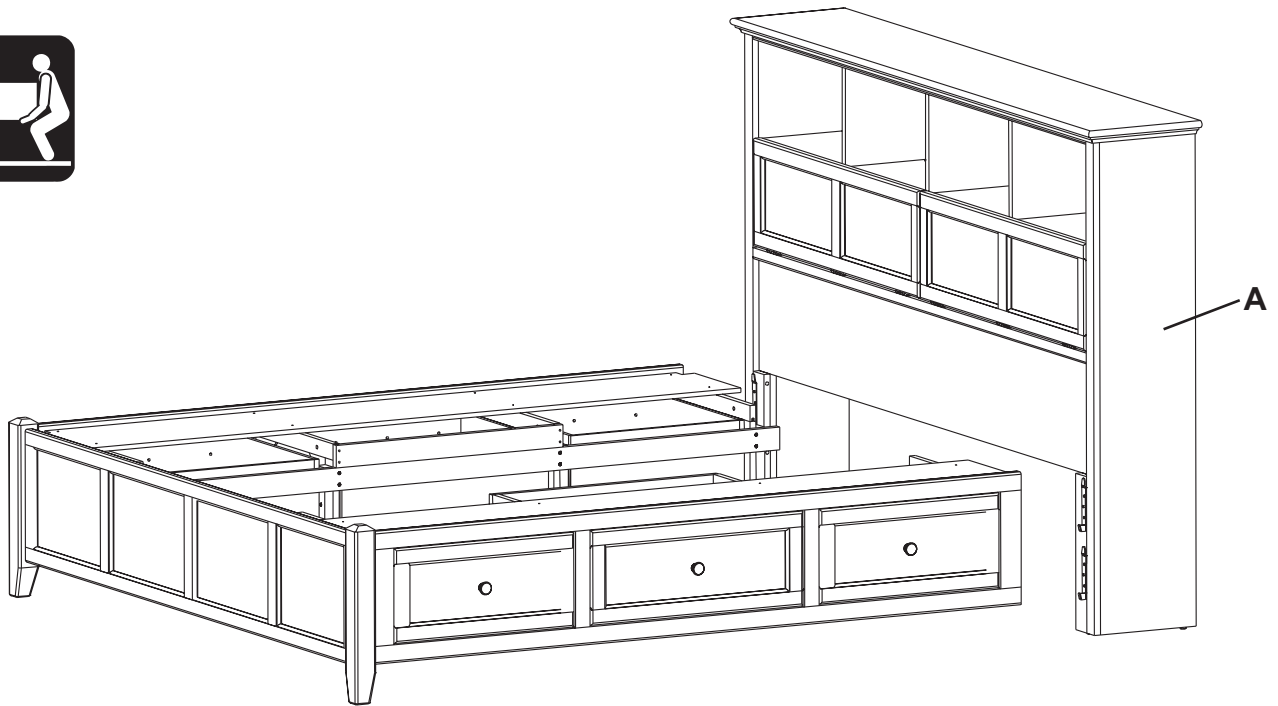
2. Place both Pedestals (lc) approximately 79" apart as shown in Figure 2.



3. To attach the Footboard (Ba) to the Pedestal Assembly (Ic), align the Brackets and slide the Pedestal Assembly down on to the Footboard (Ba). See Figures 3 and 3a.



4. Repeat step three for the left side.



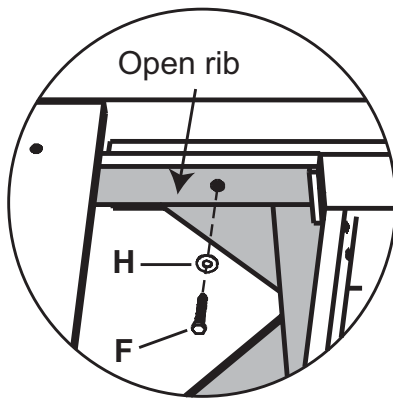
**Fig. 5**

5. Align the Brackets on both sides and slide the Pedestal/Footboard assembly down on to the Headboard (A). See Figure 5.

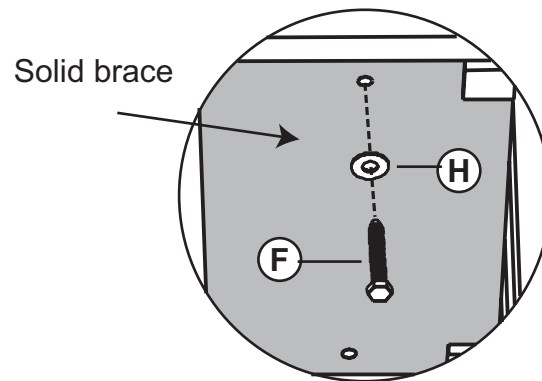
---

**IMPORTANT NOTE:** If you have a Pedestal that has open ribs (see Figure A), follow the instructions on beginning on page 8. If you have a Pedestal that has solid braces (see Figure B), follow the instructions beginning on page 10.

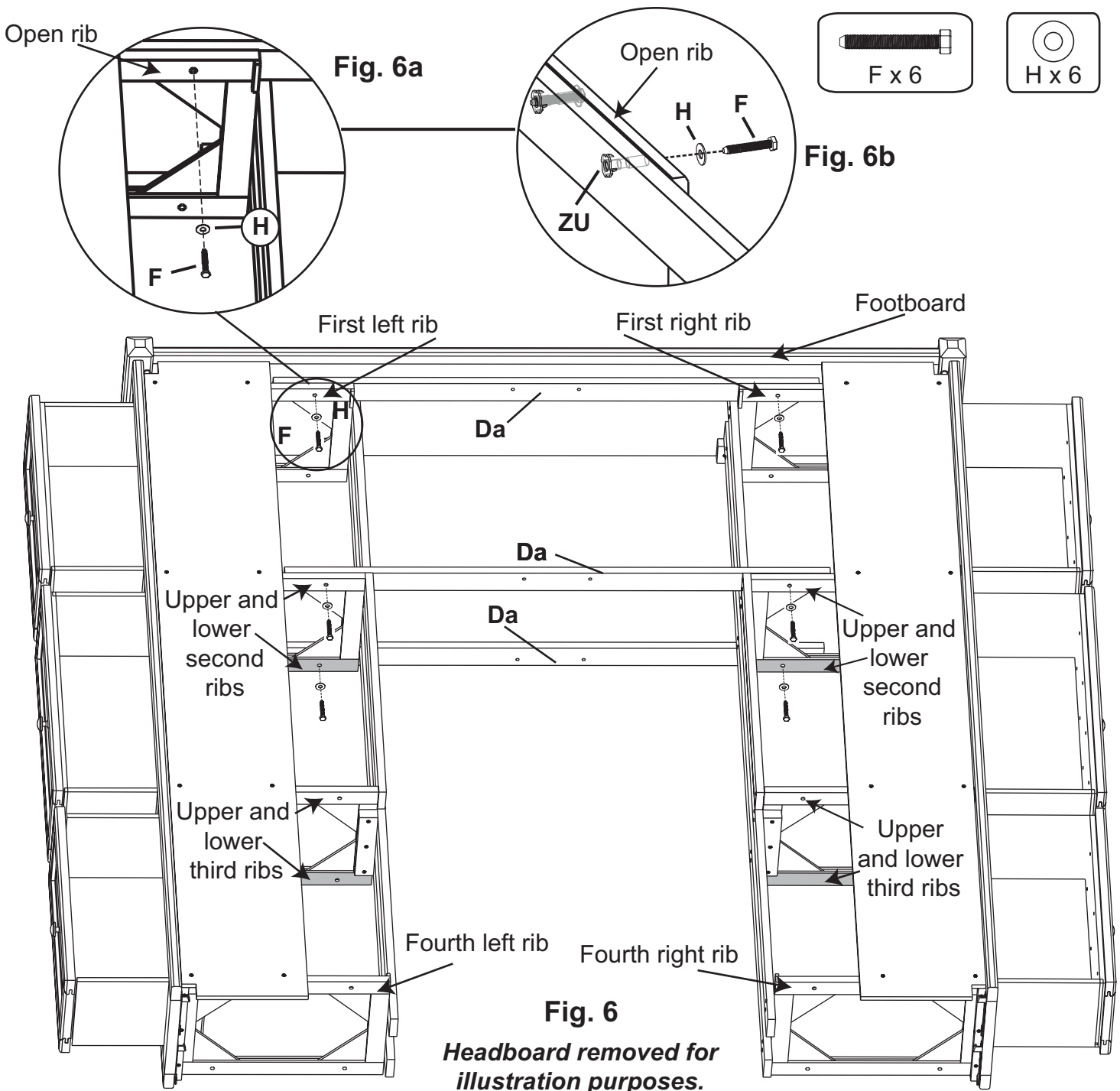
**Figure A**



**Figure B**



# Open Rib Version



**Fig. 6**  
*Headboard removed for illustration purposes.*

- Open the drawers. Face the Footboard and stand in between the first and second ribs. Place a Trestle with T-Nuts (Da) on the outside surfaces of the first upper left and right ribs so that the T-Nuts (ZU) sit near the top. See Figures 6a and 6b. Line up the upper edges of the trestle and ribs so they are nearly flush. Insert two 1/4" x 1-3/4" Hex Bolts (F) and Washers (H) and tighten. Repeat for the second upper rib.

Place a Trestle with T-Nuts (Da) on the outside surface of the second **lower** rib so that the T-Nuts (ZU) sit near the bottom. Line up the bottom edges of the trestle and ribs so they are nearly flush. Insert two 1/4" x 1-3/4" Hex Bolts (F) and Washers (H) and and tighten. See Figures 6, 6a and 6b.

Fig. 7a

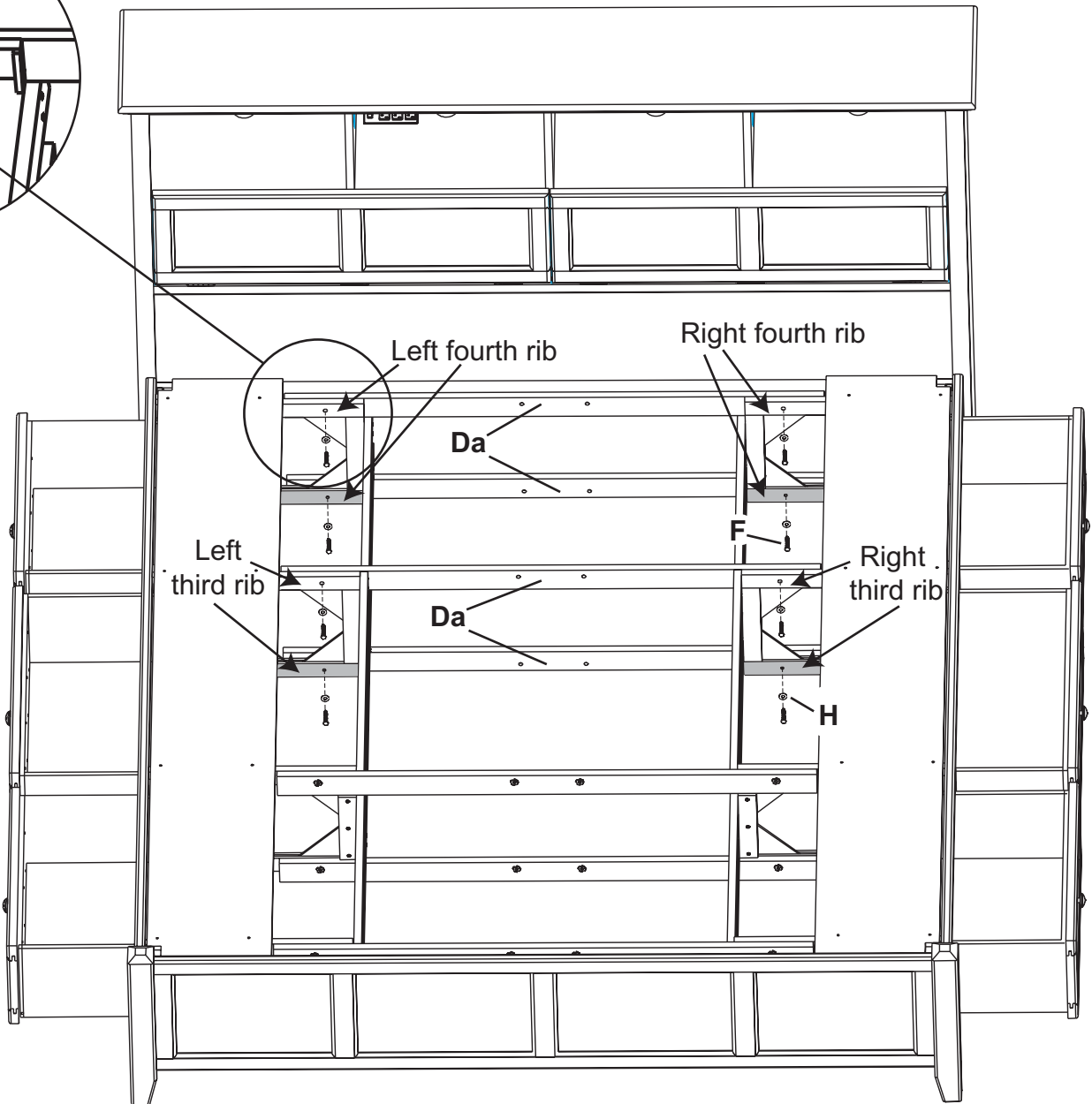
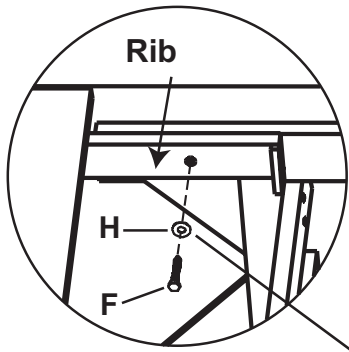


Fig. 7

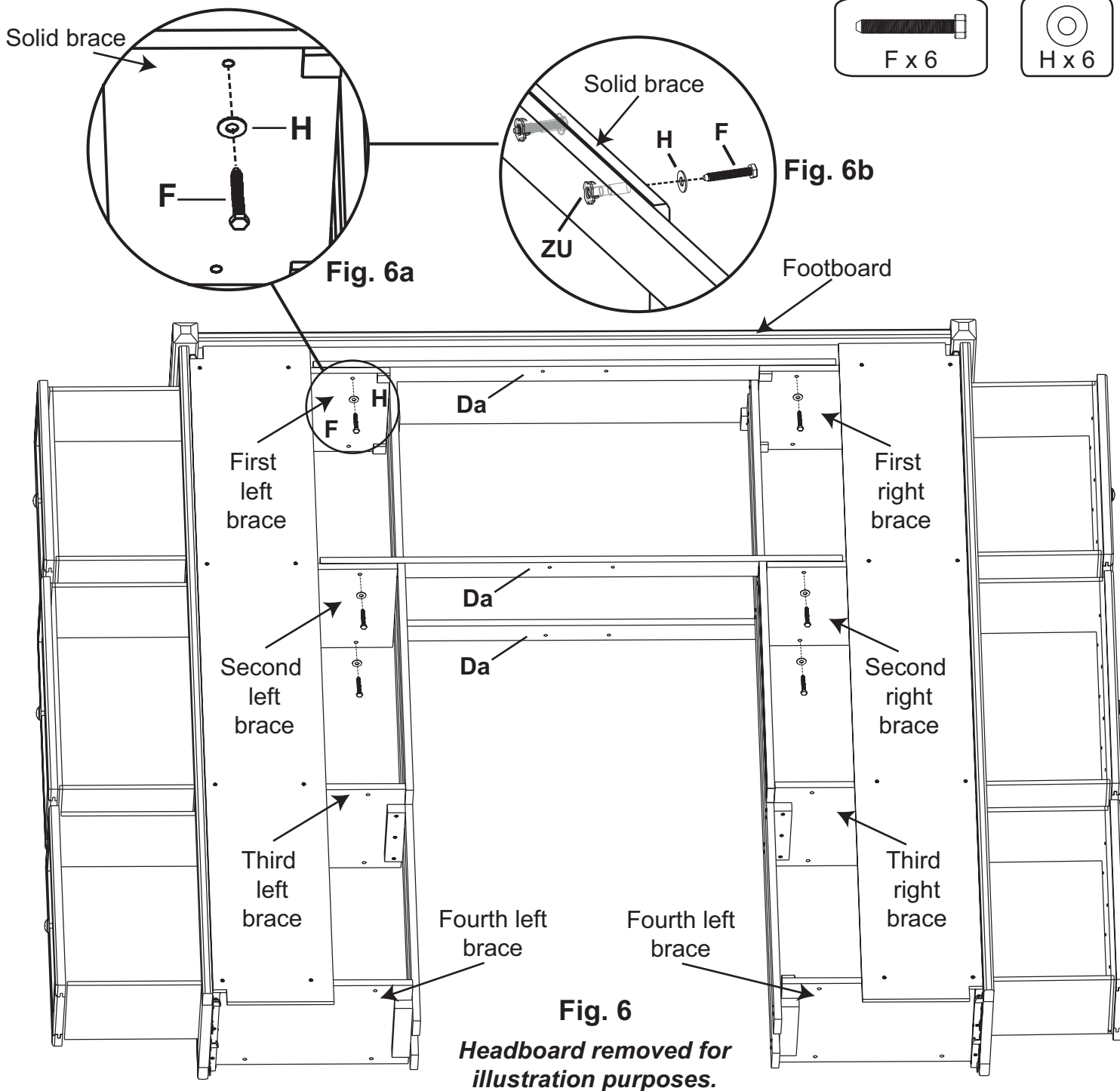
7. Face the Headboard and stand in between the third and fourth ribs. Place a Trestle with T-Nuts (Da) on the outside surfaces of the third upper left and right ribs so the t-nuts sit near the top. See Figures 7 and 7a. Line up the upper edges of the trestle and ribs so they are nearly flush. Insert two 1/4" x 1-3/4" Hex Bolts (F) and Washers (H) and tighten.

Place a Trestle with T-Nuts on the outside surface of the third left and right **lower** ribs so that the t-nuts sit near the bottom. Line up the bottom edges of the trestle and ribs so they are nearly flush. Insert two 1/4" x 1-3/4" Hex Bolts (F) and Washers (H) and and tighten. See Figures 7 and 7a.

Repeat for the fourth ribs.

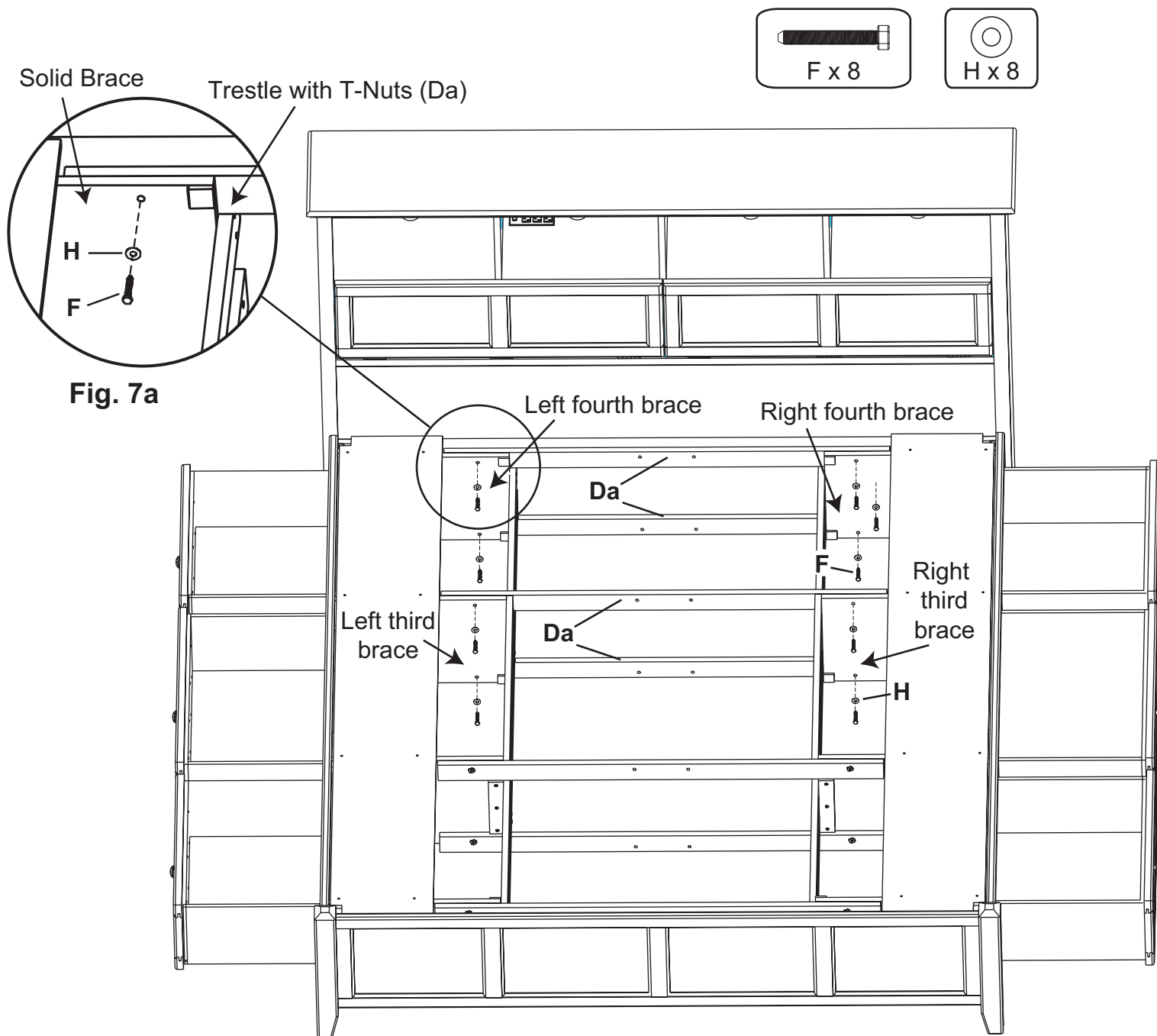
**Skip to page 12 and continue.**

# Solid Brace Version



6. Open the drawers. Face the Footboard and stand in between the first and second braces. Place a Trestle with T-Nuts (Da) on the outside surfaces of the first upper left and right braces so that the T-Nuts (ZU) sit near the top. See Figures 6a and 6b. Line up the upper edges of the trestle and braces so they are nearly flush. Insert two 1/4" x 1-3/4" Hex Bolts (F) and Washers (H) and tighten. Repeat for the second upper brace.

Place a Trestle with T-Nuts (Da) on the outside surface of the second **lower** brace so that the T-Nuts (ZU) sit near the bottom. Line up the bottom edges of the trestle and braces so they are nearly flush. Insert two 1/4" x 1-3/4" Hex Bolts (F) and Washers (H) and and tighten. See Figures 6, 6a and 6b.

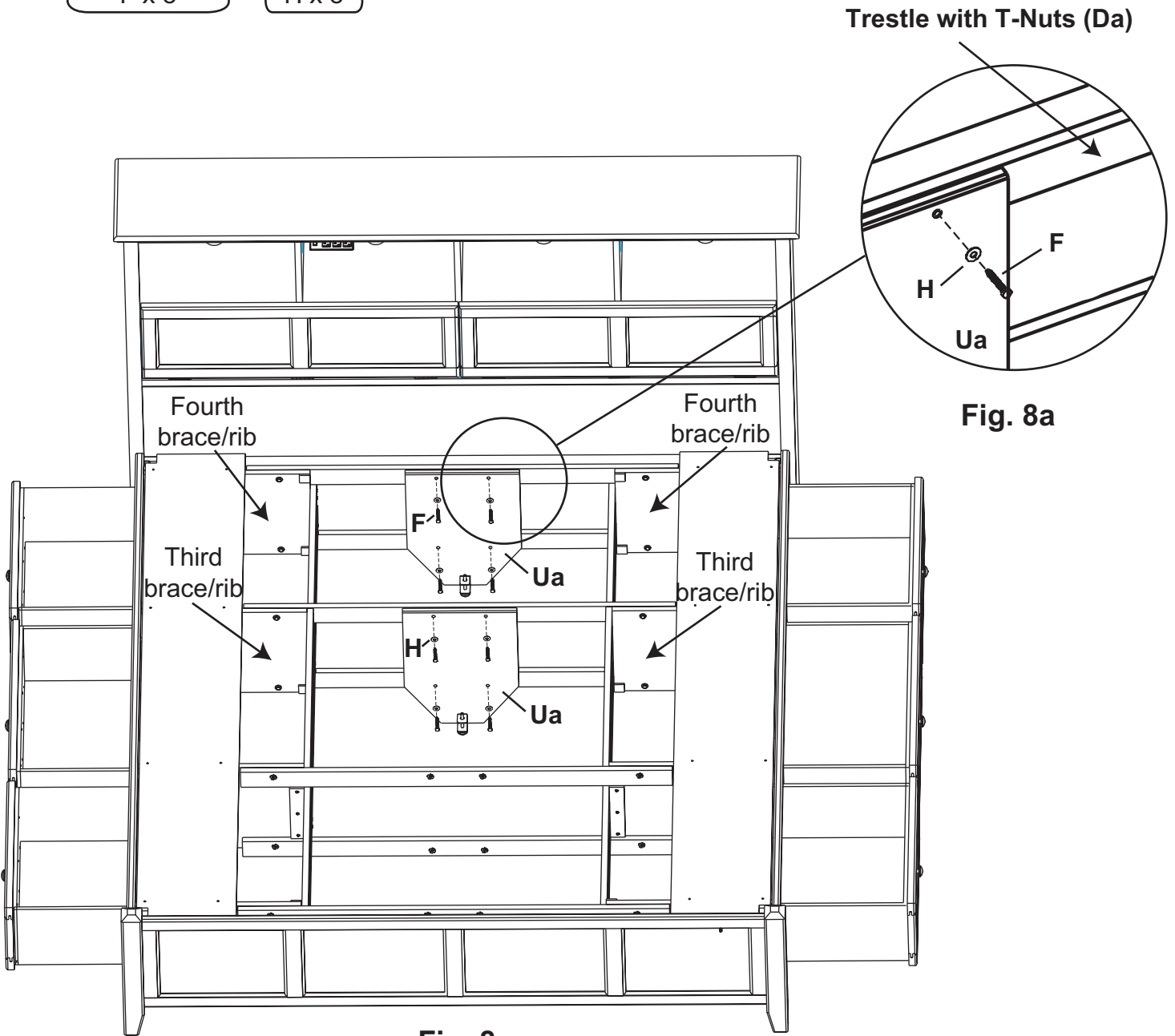


**Fig. 7**

7. Face the Headboard and stand in between the third and fourth braces. Place a Trestle with T-Nuts (Da) on the outside surfaces of the third upper left and right braces so the t-nuts sit near the top. See Figures 7 and 7a. Line up the upper edges of the trestle and braces so they are nearly flush. Insert two 1/4" x 1-3/4" Hex Bolts (F) and Washers (H) and tighten.

Place a Trestle with T-Nuts on the outside surface of the third left and right **lower** braces so that the t-nuts sit near the bottom. Line up the bottom edges of the trestle and braces so they are nearly flush. Insert two 1/4" x 1-3/4" Hex Bolts (F) and Washers (H) and and tighten. See Figures 7 and 7a.

Repeat for the fourth braces.



8. Facing the Headboard, place two Foot Assemblies (Ua) on the **inside** faces of the third and fourth upper and lower Trestles. Attach with Washers (H) and 1/4" x 1-3/4" Hex Bolts (F). See Figures 8 and 8a.

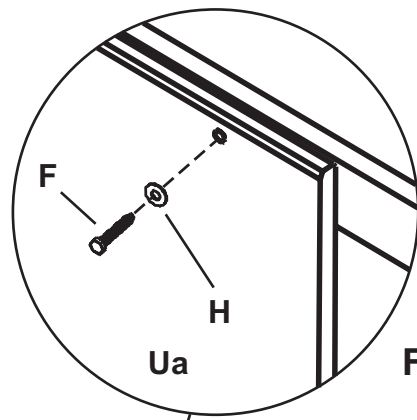


Fig. 9a

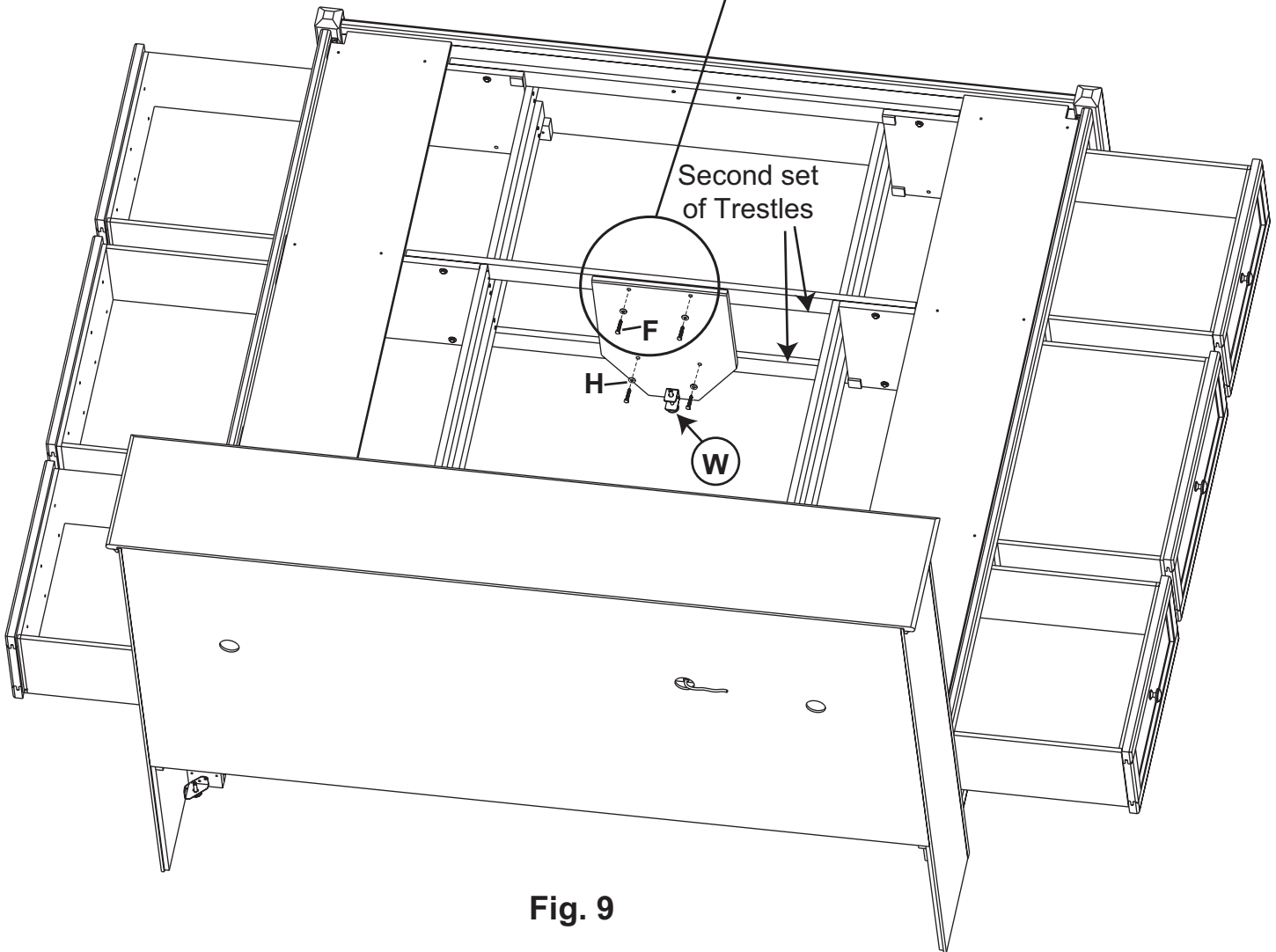
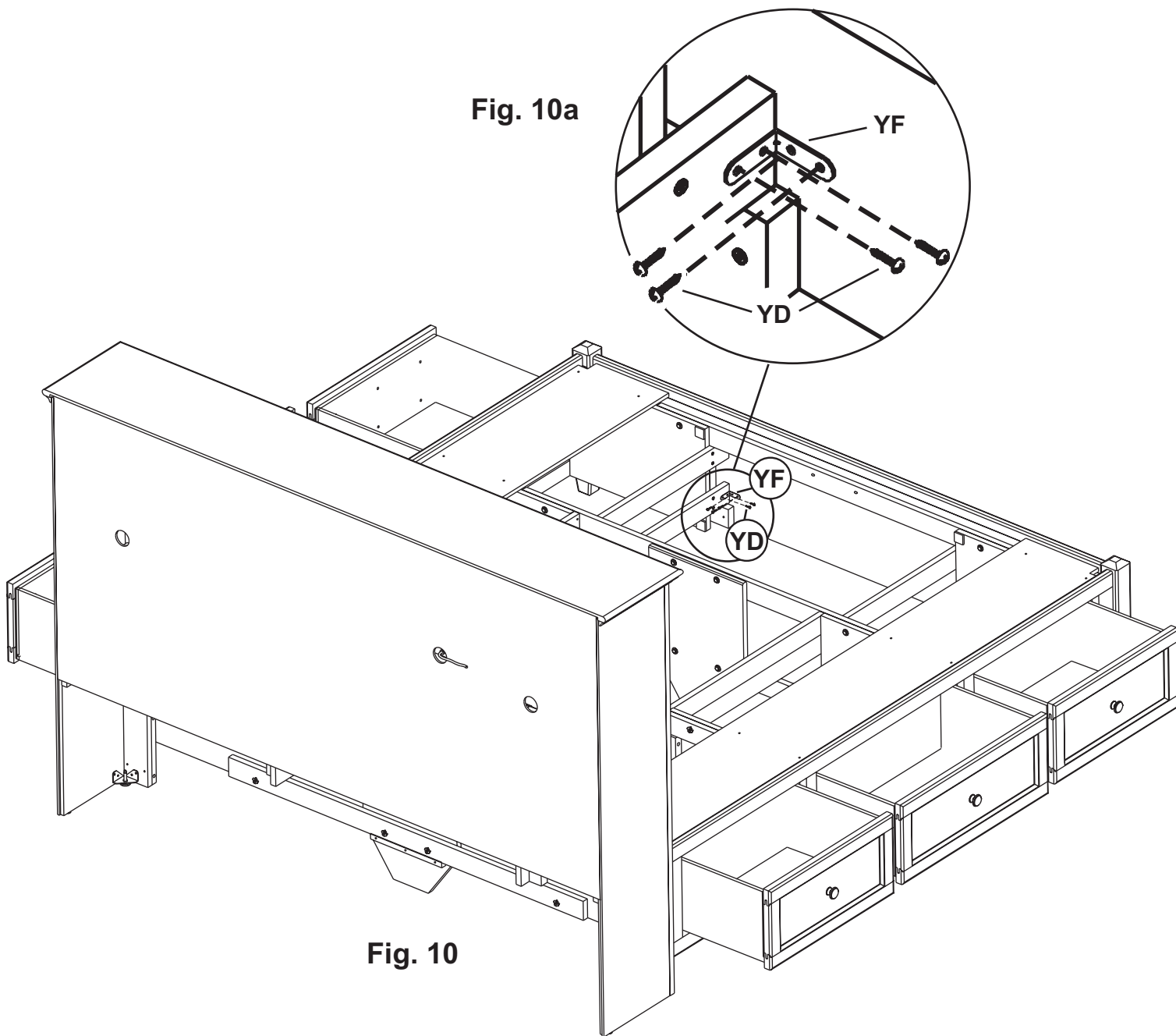
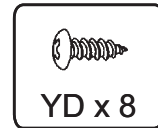
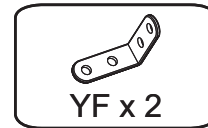


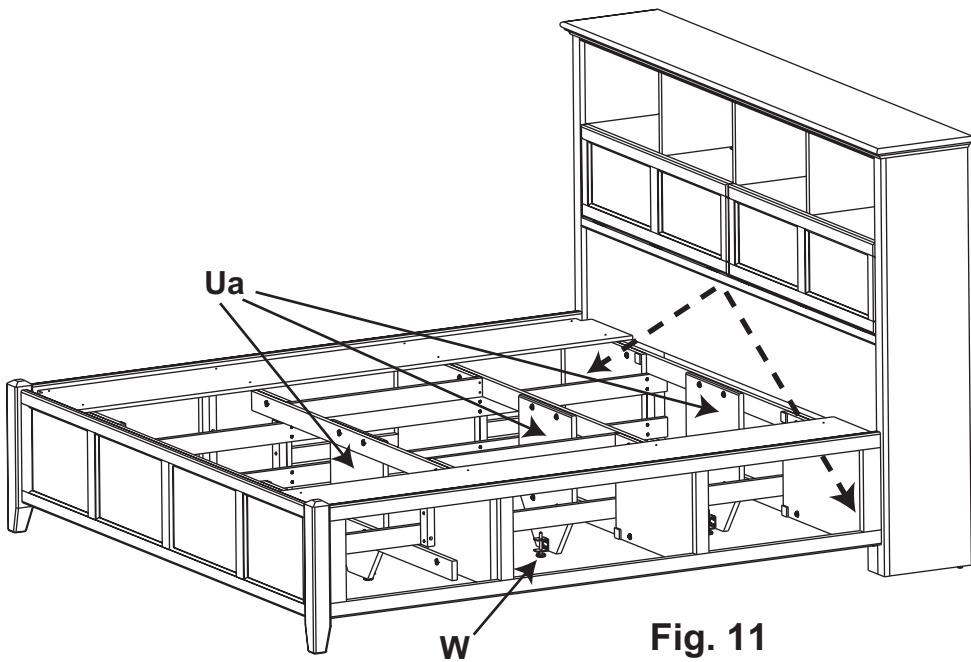
Fig. 9

9. Facing the Footboard, place a Foot Assembly (Ua) on the **inside** of the second set of Trestles and attach with four Washers (H) and four 1/4" x 1-3/4" Hex Bolts (F). See Figures 9 and 9a.

Adjust all three Glides (W) found at the bottoms of the Foot Assemblies so that the Glides just touch the floor.



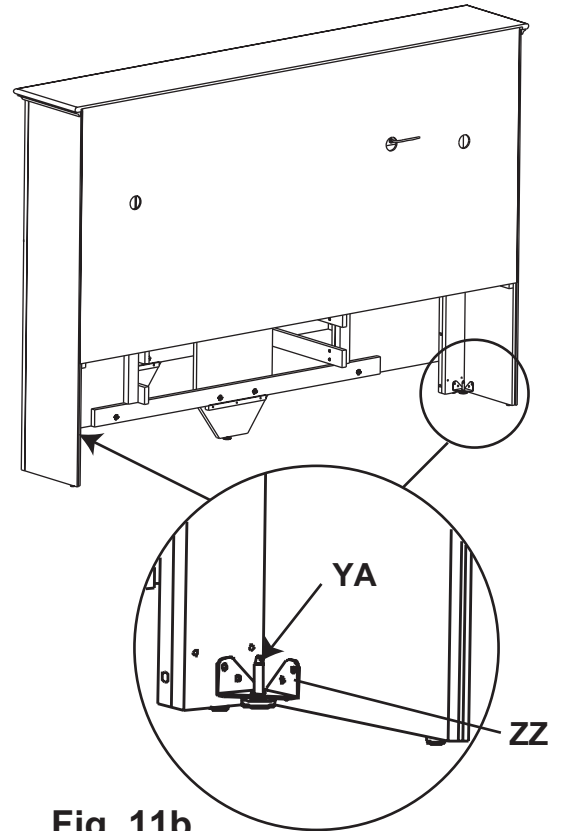
10. Facing the Footboard, attach a 90° Bracket (YF) to the lower brace of the Pedestal Assembly with four #6 x 1/2" Philtruss Screws (YD). Repeat for the other side. See Figures 10 and 10a.



**Fig. 11a**

**Fig. 11**

*Drawers removed for illustration purposes.*



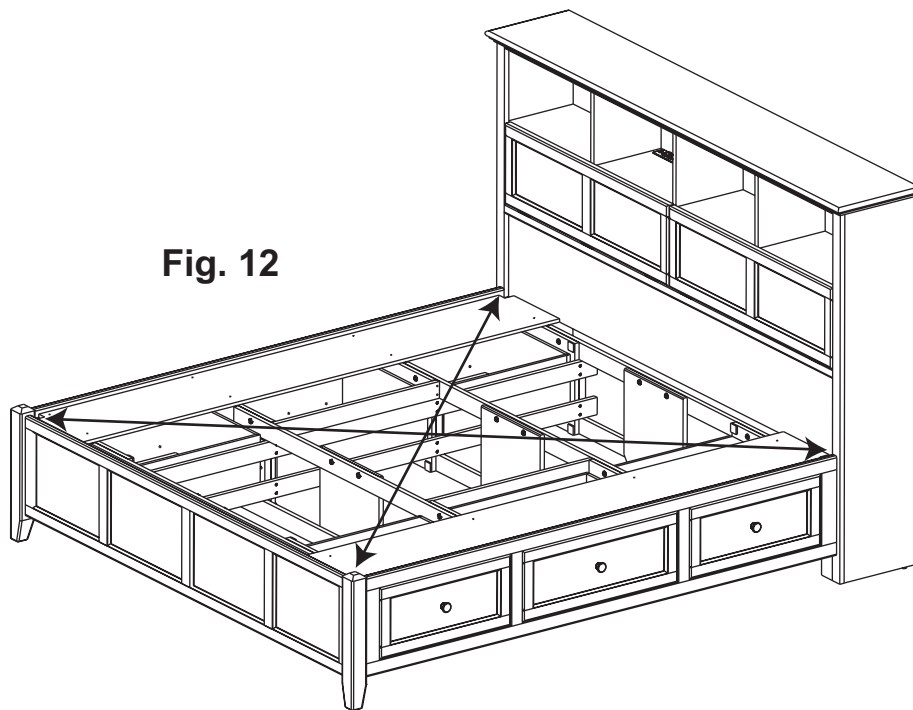
**Fig. 11b**

The top of the Large Adjustable Glide (YA) is slotted.

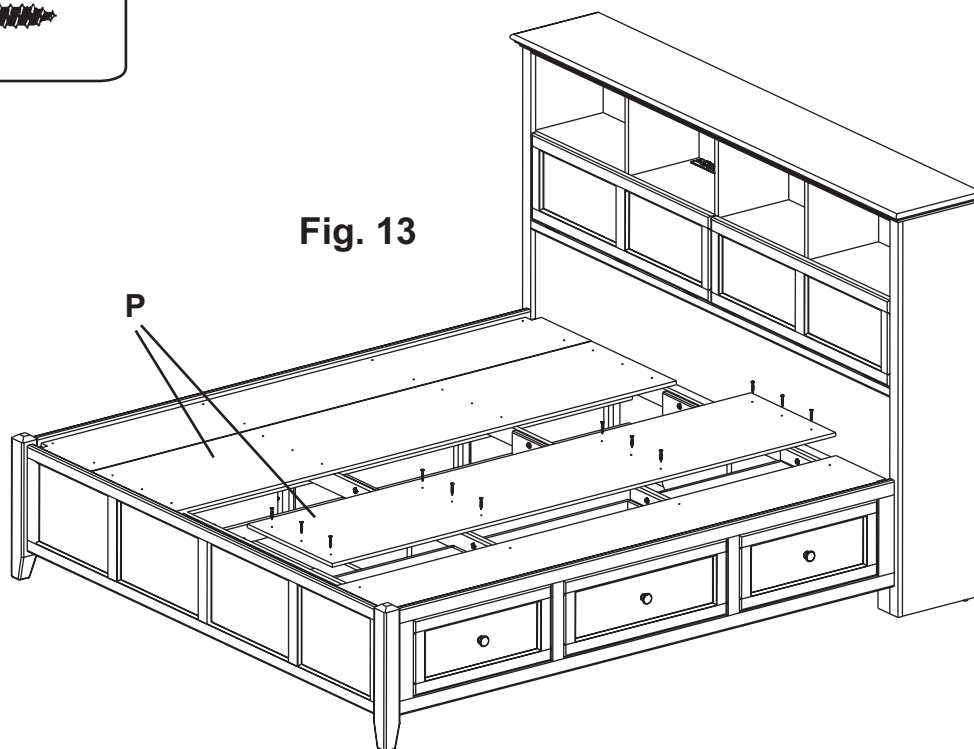
11. Place your bed in its final position. Adjust all three Glides (W) found at the bottoms of the Foot Assemblies (Ua) so that the Glides just touch the floor. See Figure 11.

To level the headboard, stand in the open area in between the two attached deckboards and reach through the front of the platform. See Figure 11. Using a slotted screwdriver, rotate the Large Adjustable Glide (YA) clockwise until it bears weight. Repeat for the opposite side. See Figures 11a and 11b.

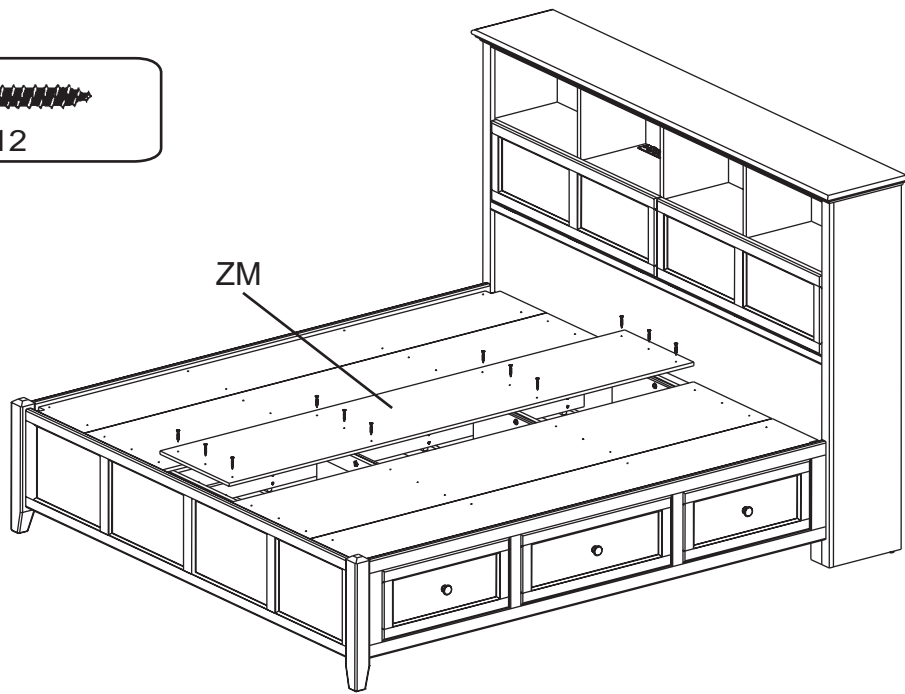
**THIS IS ESPECIALLY IMPORTANT IF THE BOOKCASE HEADBOARD SITS UPON A CARPET TACK STRIP.**



12. To make sure the bed is square, measure the distance between opposing corners. If one of the measurements is larger, tap on a footboard leg until the measurement is equal. See Figure 12.



13. Place the Deckboards (P) as shown in Figure 13. There should be a small gap between each deckboard. Secure with 24 #8 x 1-1/4" Screws (E).

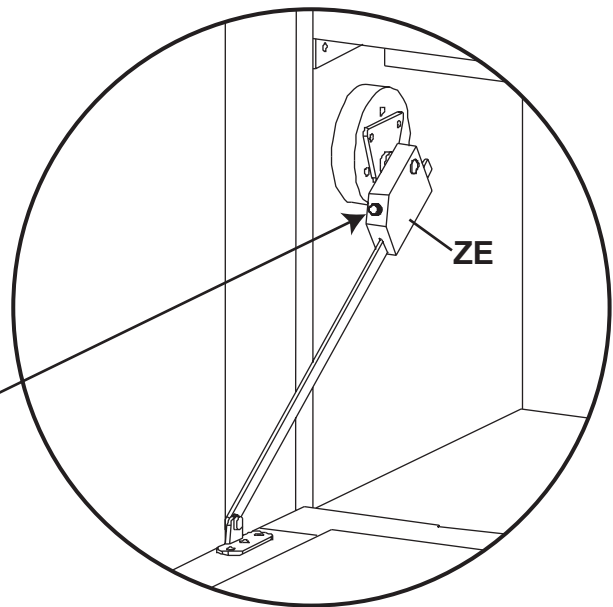


**Fig. 14**

- 14.** Place the Center Deckboard (ZM) as shown in Fig.14 and secure it with twelve #8 x 1-1/4" Black Screws (E). If you need to readjust the center feet in the future, remove the center deckboard (ZM) to improve access, rotate the glides and then attach the center deckboard.

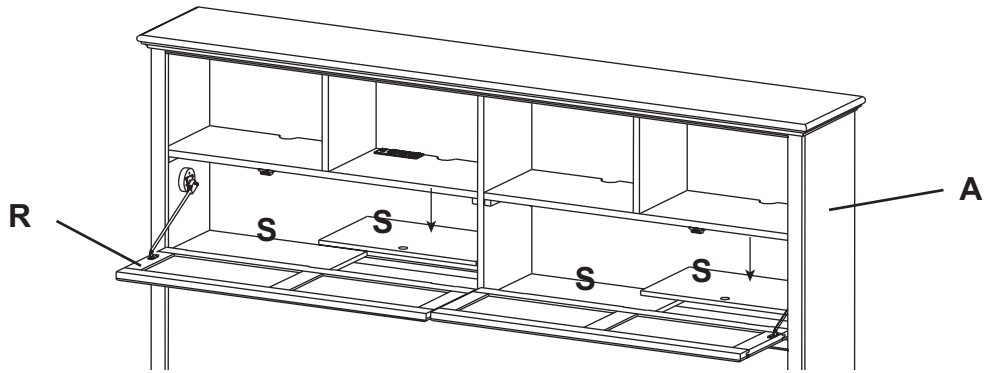


**Fig. 15a**



**Fig. 15**

- 15.** To adjust the brake tension on the Door Stay (ZE), turn the screw on the Door Stay clockwise to loosen or counterclockwise to tighten. See Figures 15 and 15a.



**Fig. 16**

16. Unwrap the False Bottoms (S) and place them on top of the rails in the Headboard Assembly (A). Make sure the finger holes face forward as shown in Figure 16.

After you have placed your electronics inside the cubbies, use the Wire Clips (ZS) on the undersides of the cubbies to secure the wires.

- 
17. Close the door tightly, making sure the magnetic catches and plates securely touch. Sleep well, and enjoy!

# Finishing Hints

## Choosing the Finish:

1. Choose a finish that will meet your expectations for the product you are finishing. Are you matching existing furniture or do you want a "natural" finish? Is the piece to be functional, decorative or both? The answers to these questions may affect the type of finish you choose.
2. Use products of the same brand to ensure compatibility of products.
3. **ALWAYS** follow the stain manufacturer's instructions. Alder is a porous hardwood and often looks best when following the finishing directions for softwoods
4. We recommend using a wood conditioner under oil base stains.
5. Work in a well ventilated and well lit area.

## Getting Started

1. **Assembly Instructions may contain special finishing information for that item.** Read both the Assembly Instructions and these Finishing Hints completely before beginning.
2. Sand the entire piece, using #220 grit sandpaper. Sand with the grain of the wood on flat surfaces and opposite the grain on turnings. Some parts are plywood. Be careful not to sand through the veneer. End grain (table top ends, seat edges, grooves on turnings, etc.) accepts more stain. Extra sanding in these areas with a #320 grit sandpaper will reduce stain absorption, creating a more evenly stained piece.
3. When sanding is completed, wipe the surface of your furniture with a cloth or tack rag. Make sure the item is free of dust before proceeding.

## Staining

1. Read and follow label directions. Stir stain well before starting.
2. Test stain on an inconspicuous spot on your project, or use the sample chip if one is provided. The sample chip must be sanded in the same way as your furniture kit to ensure the piece will accept the stain similarly. Put at least one coat of your top coat over the stain sample, as it also affects the look of the stain. **Test every type of wood that is in your kit.** Some of our products include more than one type of wood, which may react differently to the stain color. Sample chips for the different woods may be included. It may be necessary to add a second coat of stain to lighter woods to match the darker woods in your kit.

## Basic Equipment:

- |  |   |  |
|--|---|--|
| <input type="checkbox"/> Rubber gloves | <input type="checkbox"/> Tack cloth                       | <input type="checkbox"/> #220 & #320 sandpaper |
| <input type="checkbox"/> Rags          | <input type="checkbox"/> Drop cloth                       | <input type="checkbox"/> Mineral spirits       |
| <input type="checkbox"/> Paper towels  | <input type="checkbox"/> Paint brushes (bristle and foam) | <input type="checkbox"/> Masking Tape          |
| <input type="checkbox"/> Q-tips        |   |  |

3. Apply stain with a poly brush or lint-free cloth. Apply stain over a small area and wipe off excess. Working in small areas will make the color easier to control.
4. Q-tips are ideal for hard to reach areas.
5. Allow to dry thoroughly before proceeding.

## Applying the Top Coat:

**No top coat is required if using paint.**

1. **Always read and follow all label directions.** Stir your finish coat gently, **do not shake.** It will create bubbles that are hard to remove.
2. **All surfaces** (including the underside of table tops and inside drawers) **must be sealed with at least one layer of a top coat.** This will help minimize wood swelling, shrinkage, warping and cupping due to changes in moisture content or temperature.
3. We recommend that you **apply a minimum of two coats when using polyurethane or varnish (especially on all table top and work surfaces).** Sand lightly between coats using a #320 grit sandpaper or 00 steel wool for the smoothest possible finish.
4. Some water-based finishes tend to raise the grain slightly. This can be easily controlled with this sanding step. However, do not use steel wool when using water-based finishes. Strands of steel fiber caught in the wood can cause rust spots when coated with any water-based product.

## Painting:

1. For best results when painting, first coat the wood with a primer. An oil based primer would be best for a smooth finish. If you do not wish to use a solvent based primer, a water based primer would work almost as well.
2. Buy a quality brand paint. You may use a satin, semi-gloss, or gloss sheen. Apply a second coat for a smooth finish. Lightly sand between coats using a #320 grit sandpaper, so that the second coat will bond well. Repeat as desired.
3. Since there is such a variation between paint manufacturers, refer to your paint supplier for specific advice on using the paint that you purchase.