

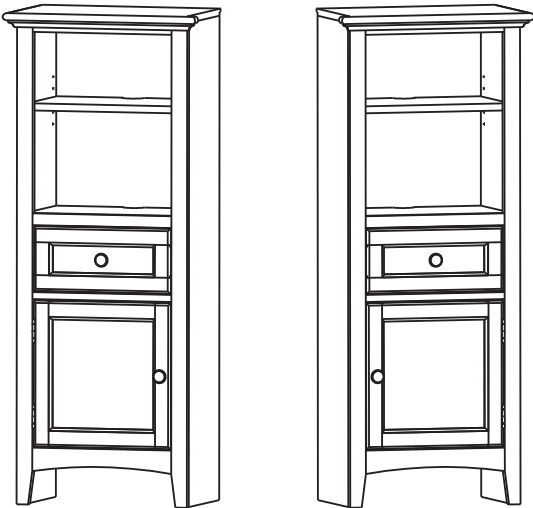
Model #

1374AFGACa; 1374AFCAF McKenzie Bookcase Left & Right Piers

AFGAC = Glazed Antique Cherry finish

AFCAF = Caffè finish

Assembly Instructions



Congratulations!

This fine piece of furniture will make a gorgeous addition to your home. For the best results, read the Assembly Instructions before you begin your project.

! IMPORTANT NOTES:

- For normal household use only. **Not** recommended for commercial use.
- Unload items before you move this unit.
- Before you load or move this unit, check to make sure all screws and supports are tight.
- Do not overload the concealed storage areas.
- Do not overload the drawers or shelves.
- Before you begin your project, completely read the Assembly Instructions.
- Store this item: 1- in its box; 2- in a dry place; 3- in temperatures that range from 40°F to 90°F (not on a cold and possibly damp cement floor).
- Periodically inspect your furniture for any loose glue joints, screws or any other problem that might affect the stability of your furniture. Tighten or repair as needed.

DESIGN SUBJECT TO CHANGE WITHOUT NOTICE.



CALL US FIRST! *Do not return this item to the store.*

Service Policy: We will replace any part that is defective, missing or damaged during assembly. Please contact Whittier Wood Products customer service department directly by phone, fax, mail or email for a replacement part.

Hours: Our friendly customer service staff can be reached Monday-Friday 7:00 a.m. to 5:00 p.m. (Pacific Time). You may leave a message 24 hours a day, seven days a week.

To Order: Designate the finish, provide the furniture model number (upper left corner of this page), the part letter, production code, quantity needed, reason for replacement, your full name, address and telephone number.

Parts ship from our Eugene, Oregon factory within one or two business days from the time we receive your request. Please allow five to ten business days for delivery.

800-653-3336 • Outside the U.S. or Canada: 541-687-0213 • Fax: 541-687-2060
www.whittierwood.com • P.O. Box 2827 • Eugene, Oregon 97402, U.S.A.

**Whittier
Wood**
FURNITURE

P.O. Box 2827
Eugene, OR 97402 USA

Production Code:

VN

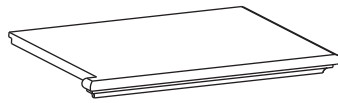
05/10

1374AFGACa; 1374AFCAFa McKenzie Bookcase Left & Right Piers — Parts List

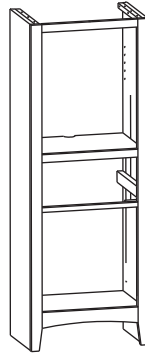
Please identify the parts and check that quantities received match those on this list.
If you need to replace a part, refer to the following letter and model name.



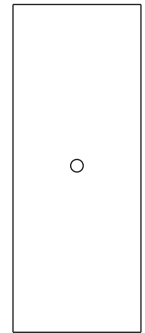
Aa — Left Top
— Qty. 1 (attached)



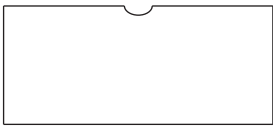
Ba — Right Top
— Qty. 1 (attached)



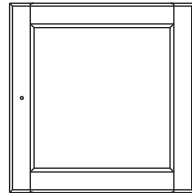
C — Case Only
— Qty. 2



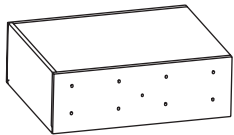
D — Back
— Qty. 2 (attached)



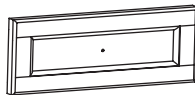
E — Adjustable Shelf
— Qty. 2 (installed)



F — Door
— Qty. 2 (installed)



G — Drawer Box
— Qty. 2 (installed)



H — Drawer Face
— Qty. 2 (installed)



I — Knob
— Qty. 4 (installed)



J — #8 x 1-1/2" Machine Screw
— Qty. 4 (installed)



K — Drawer Slides
— Qty. 2 sets (installed)



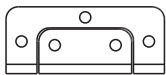
L — Shelf Bracket
— Qty. 8 (attached)



M — #6 x 1/2" Undercut Screw
— Qty. 24 (inserted)



N — #8 x 1-1/4" Black Screw
— Qty. 54 (48 inserted)



ZA — Hinge
— Qty. 4 (installed)



P — Mending Plate
— Qty. 2



Q — #6 x 5/8" Pan Flat
Screw — Qty. 20 (inserted)



S — #6 x 5/8" Philtruss
Screw — Qty. 10 (4 inserted)



T — T-Nut
— Qty. 8 (inserted)



U — Adjustable Glide
— Qty. 8 (installed)



V — #8 x 1" Black Screw
— Qty. 12 (inserted)

W — #5 x 5/8" Flat Head
Screw — Qty. 4 (inserted)

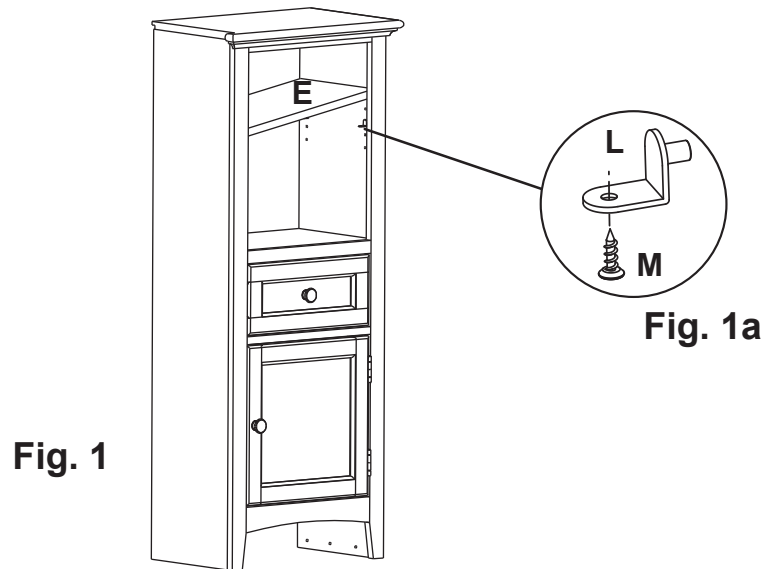
X — #8 x 7/8" Lo-Profile
Screw — Qty. 8 (inserted)

Y — #8 x 1-1/4" Pan Head
Screw — Qty. 14 (inserted)

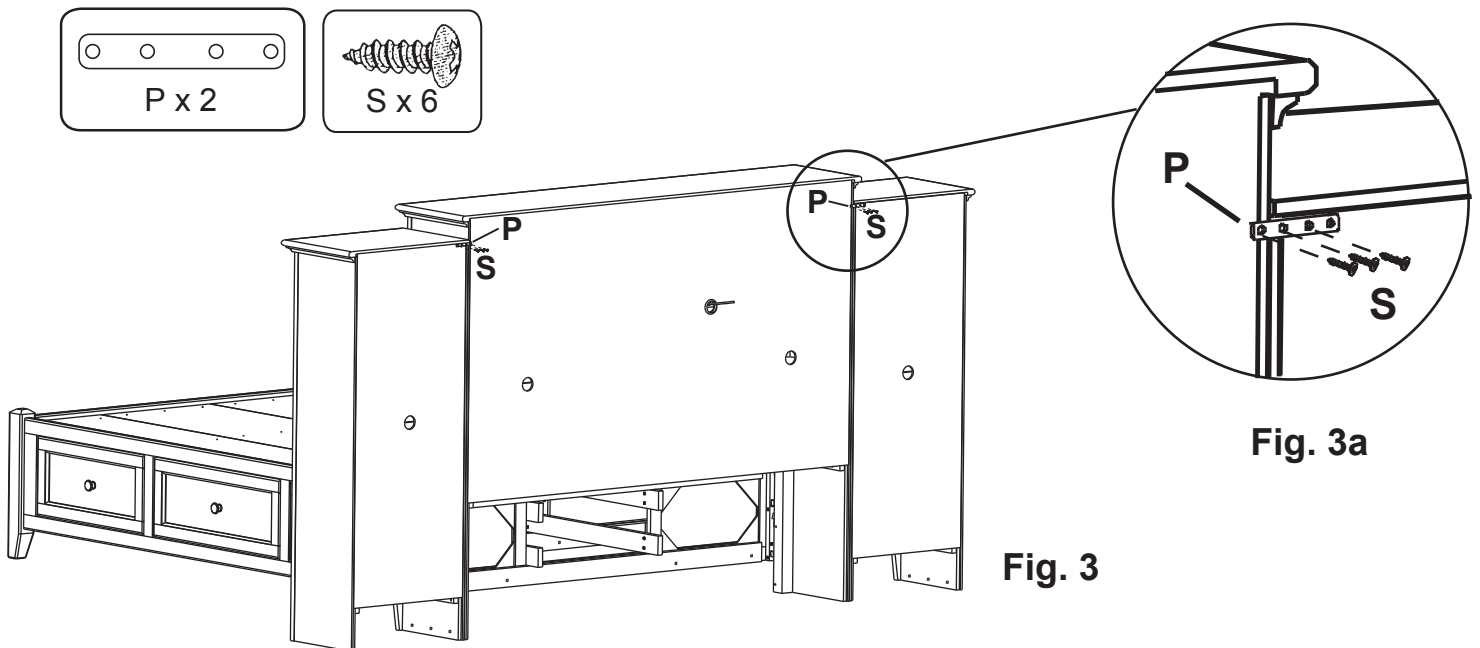
ZB — Magnetic Lock & Plate
— Qty. 2 sets (attached)

1374AFGACa; 1374AFCAFa McKenzie Bookcase Left & Right Piers Assembly Instructions

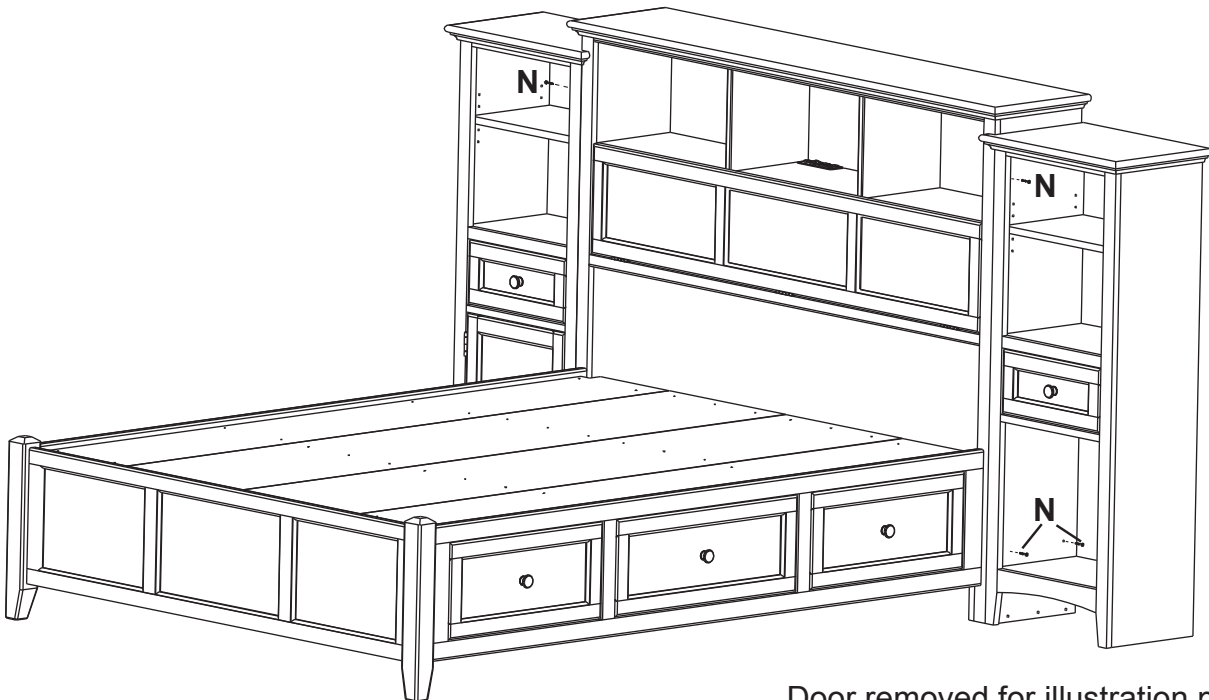
Tool Required: Phillips screwdriver



1. To move the Adjustable Shelf (E), remove the #6 x 1/2" Undercut Screws (M) and the Shelf (E). Reposition the Shelf Brackets (L) to the desired positions, replace the shelf and insert the screws. See Figures 1 and 1a.
2. Move the piers to your desired location. To level the piers, rotate the Adjustable Glides (U) found on the bottoms of the legs.



3. Place the Mending Plate (P) underneath the top edge of the left pier so the first screw hole is over the edge of the side panel of the headboard. See Figures 3 and 3a. Insert one #6 x 5/8" Philtruss Screw (S) in the first hole of the Mending Plate. Insert the second #6x5/8" Philtruss Screw (S) into the second hole that covers the edge of the side panel of the pier. Insert the third screw into the third hole. Leave the fourth hole empty. Repeat this step for the right pier.



Door removed for illustration purposes.

Fig. 4

This is optional, but we recommend you complete this step to help make your piers more stable.

4. Insert six #8 x1-1/4" Black Screws (N) into the predrilled holes on the side panels of the left and right piers and attach the piers to the Bookcase Headboard. See Figure 4.