

McKenzie Bed Collection

Assembly Instructions

AFGAC = Glazed Antique Cherry finish

AFCAF = Caffè finish

Model #

1346AFGACc;

1346AFCAFc

McKenzie Queen Bed



Model #

1349AFGACc;

1349AFCAFc

McKenzie King Bed

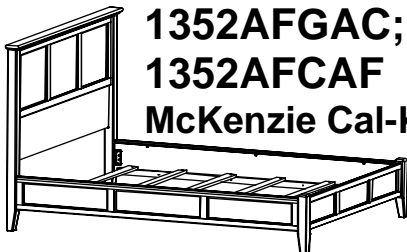


Model #

1352AFGAC;

1352AFCAF

McKenzie Cal-King Bed



IMPORTANT NOTES:

- For normal household use only. *Not* recommended to use this product in a commercial setting.
- Unload items before you move this unit.
- Before you load or move this unit, tighten all screws and supports.
- Before you begin your project, completely read the Assembly Instructions.
- Store this item: 1- in its box; 2- in a dry place; 3- in temperatures that range from 40°F to 90°F (not on a cold and possibly damp cement floor).
- Periodically inspect your furniture for any loose glue joints, screws or any other problem that might affect the stability of your furniture. Tighten or repair as needed.
- This assembly requires two people.

DESIGN SUBJECT TO CHANGE WITHOUT NOTICE

Congratulations!

This fine piece of furniture will make a gorgeous addition to your home. For the best results, read the Assembly Instructions before you begin your project.



CALL US FIRST! *Do not return this item to the store.*

Service Policy: We will replace any part that is defective, missing or damaged during assembly. For a replacement part, phone, fax, mail or email your request to the Whittier Wood Products customer service department.

Hours: Our friendly customer service staff can be reached Monday-Friday 7:00 a.m. to 5:00 p.m. (Pacific Time). You may leave a message 24 hours a day, seven days a week.

To Order: Provide the finish and furniture model number (above the illustration of your unit), the part letter, production code, quantity needed, reason for replacement and your full name, address and telephone number.

Parts ship from our Eugene, Oregon factory within one or two business days from the time we receive your request. Please allow five to ten business days for delivery.

800-653-3336 • Outside the U.S. or Canada: 541-687-0213 • Fax: 541-687-2060
www.whittierwood.com • P.O. Box 2827 • Eugene, Oregon 97402, U.S.A.

**Whittier
Wood**
FURNITURE

P.O. Box 2827
Eugene, OR 97402 USA

Production Code:

VN

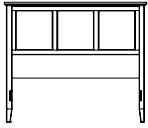
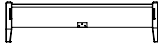
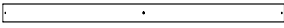










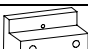
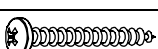
11/11

**1346AFGACc; 1346AFCAFc McKenzie Queen Bed;
1349AFGACc; 1349AFCAFc McKenzie King Bed;
1352AFGAC; 1352AFCAF McKenzie Cal-King Bed**

Parts List

Please identify the parts and check that quantities received match those on this list.
If you need to replace a part, refer to the following letter and part name.

**1347AFGACb; 1347AFCAFb Queen Bed (Headboard/Footboard Kit)
1350AFGACb; 1350AFCAFb King Bed (Headboard/Footboard Kit)
1353AFGAC; 1353AFCAF Cal-King Bed (Headboard/Footboard Kit)**

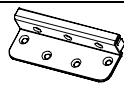
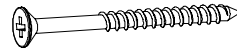
Part	Description		Quantity
A	Headboard		1
B	Footboard		1
C (1353) Cb (1347 & 1350)	Slat		5
D (1353) Db (1347 & 1350)	Assembled Foot		4
E	#8 x 1-1/4" Black Screw		26 (16 inserted)
H	1/4" x 1/2" Hex Bolt		8
I	Male Bracket (attached)		4
J	1/4" Lock Washer		8
L	Adjustable Glide		4
M	T-Nut (inserted)		9
N	5mm Hex Wrench		1
Q	Hanger Bolt (inserted)		4
S	#8 x 1-5/8" Black Screw (inserted)		4
U	Slat Support (attached)		1
V	#8 x 1-3/4" Pan Head Screw (inserted)		3

1347 shown in illustrations.

**1346AFGACc; 1346AFCAFc McKenzie Queen Bed;
 1349AFGACc; 1349AFCAFc McKenzie King Bed;
 1352AFGAC; 1352AFCAF McKenzie Cal-King Bed**

Parts List

**1348AFGACc; 1348AFCAFc Queen/King Bed Rail Kit;
 1354AFGAC; 1354AFCAF Cal-King Bed Rail Kit**

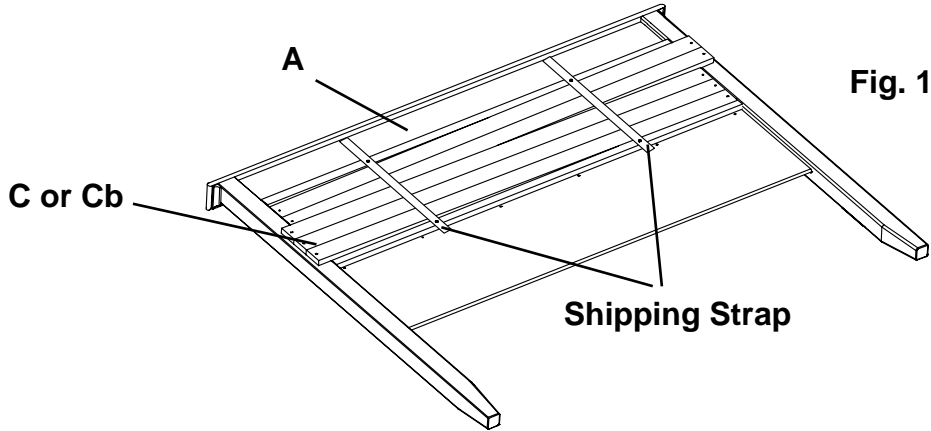
Part	Description	Quantity
G (1354) Gc (1348)	Side Rail 	2
K	#8 x 1" Black Screw (inserted) 	16
O	Female Bracket (attached) 	4
W	#8 x 2" Black Screw (inserted) 	22

1348 shown in illustrations.

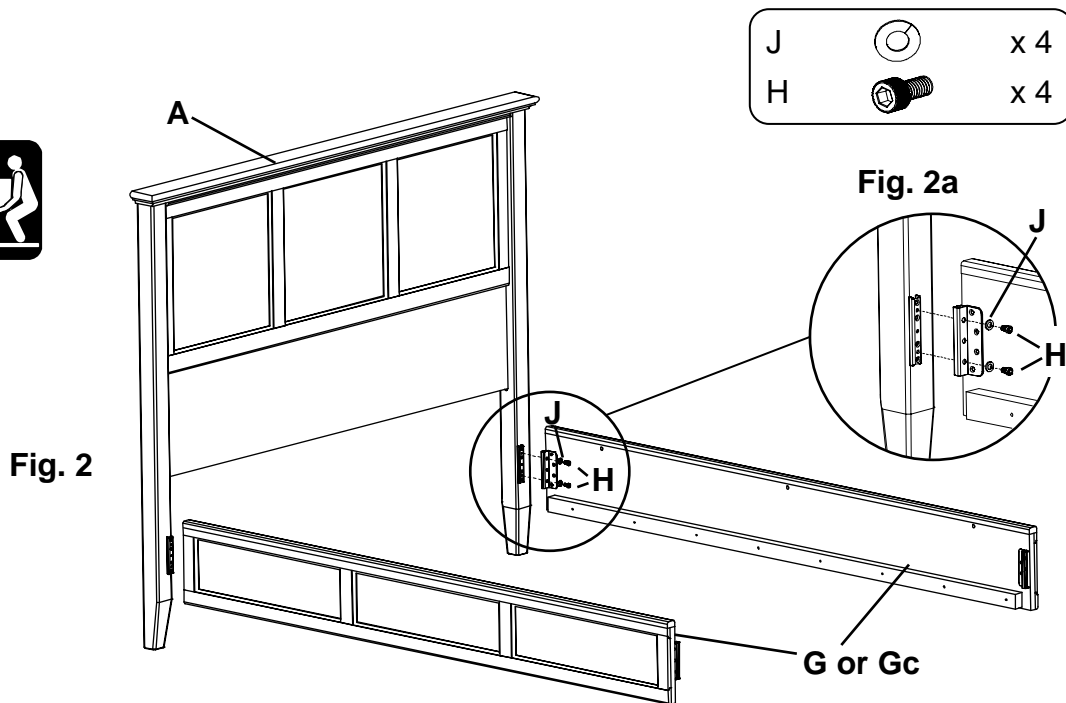
**1346AFGACc; 1346AFCAFc McKenzie Queen Bed;
 1349AFGACc; 1349AFCAFc McKenzie King Bed;
 1352AFGAC; 1352AFCAF McKenzie Cal-King Bed**
Assembly Instructions

Tools Required: 5mm Hex Wrench (provided) and Phillips Screwdriver

1. Remove the Slats (C or Cb) from the back of the Headboard (A) as seen in Figure 1 and place them off to the side.



2. Using the Hex Wrench (N) provided, attach the Side Rails (G or Gc) to the Headboard (A) with four 1/4" x 1/2" Hex Bolts (H) and 1/4" Lock Washers (J) as shown in Figures 2 and 2a.





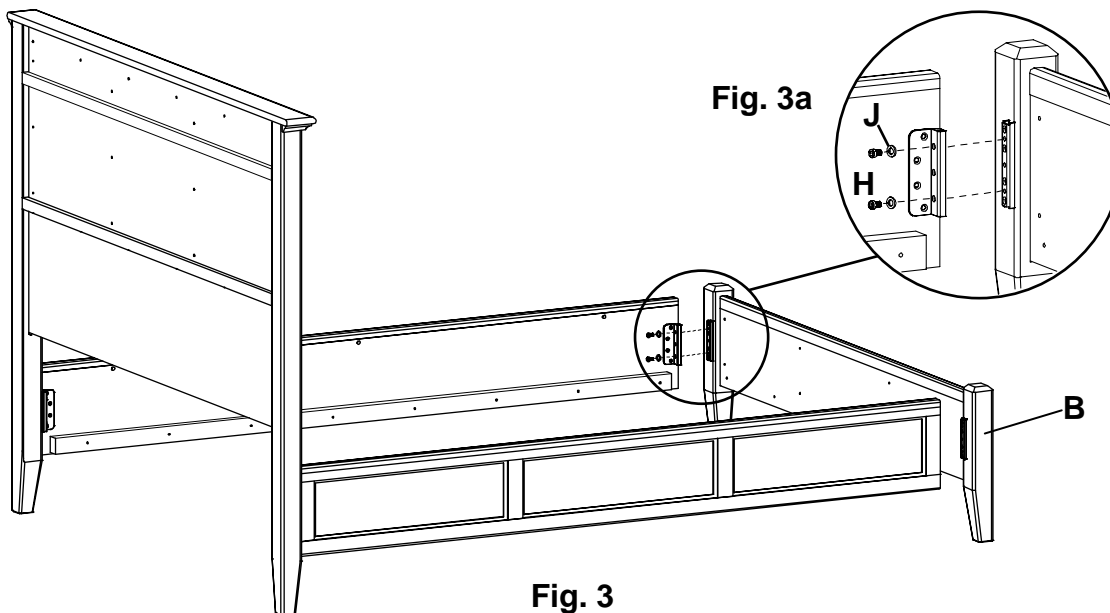
**1346AFGACc; 1346AFCAFc McKenzie Queen Bed;
1349AFGACc; 1349AFCAFc McKenzie King Bed;
1352AFGAC; 1352AFCAF McKenzie Cal-King Bed**

Assembly Instructions

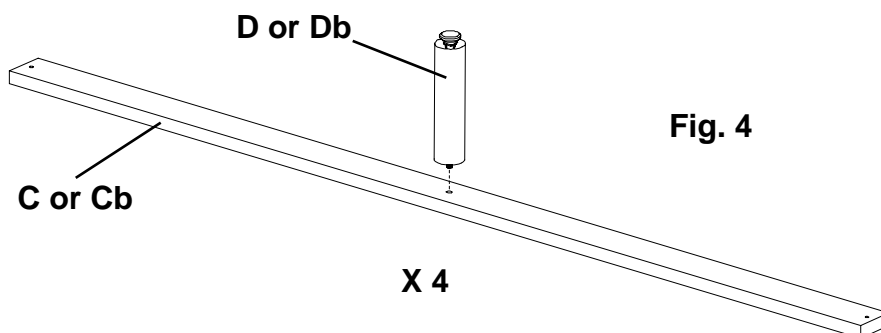
3. Using the Hex Wrench (N) provided, attach the Footboard (B) to the Side Rails with four 1/4" x 1/2" Hex Bolts (H) and 1/4" Lock Washers (J) as shown in Figures 3 and 3a.



J		x 4
H		x 4



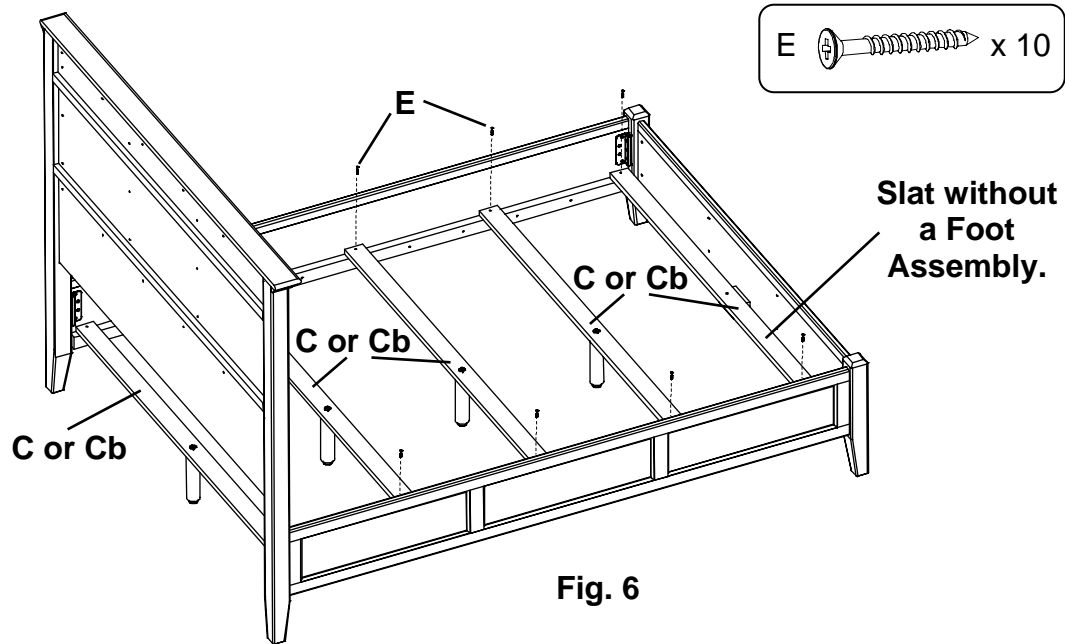
4. Attach an Assembled Foot (D or Db) to four of the Slats (C or Cb) as shown in Figure 4.



**1346AFGACc; 1346AFCAFc McKenzie Queen Bed;
1349AFGACc; 1349AFCAFc McKenzie King Bed;
1352AFGAC; 1352AFCAF McKenzie Cal-King Bed**
Assembly Instructions



5. Place the bed at its final location.
6. Position the Slats (C or Cb) on the bottom edges of the rails and place the slat without the Foot Assembly nearest to the Footboard. Attach with #8 x 1-1/4" Black Screws (E). See Figure 6.



7. Adjust the Glides (L) on the Foot Assemblies (Db) so the Glides just touch the floor, making sure the Foot Assemblies bear weight.

