

Pacific Chest

Glazed Spice finish

Assembly Instructions

Model #

1134AFGSP

5-Drawer

Pacific Chest



Model #

1136AFGSP

7-Drawer

Pacific Chest



Congratulations!

This fine piece of furniture will make a gorgeous addition to your home. For the best results, read the Assembly Instructions before you begin your project.



WARNING!

Serious or fatal crushing injuries can occur from furniture tip-over. To help prevent tip-over:

- Place heaviest items in the drawer bottoms.
- Unless specifically designed to accommodate, do not set TVs or other heavy objects on top of this product.
- Never allow children to climb or hang on drawers, doors or shelves.
- Never open more than one drawer at a time.

Use of tip-over restraints may only reduce but not eliminate the risk of tip-over.



IMPORTANT NOTES:

- For normal household use only. **Not** recommended for commercial use.
- Do not climb, sit or stand on this piece of furniture.
- Unload items before you move this unit.
- Before you load or move this unit, make sure all screws and supports are tight.
- Before you begin your project, completely read the Assembly Instructions.
- Store this item: 1- in its box; 2- in a dry place; 3- in temperatures that range from 40° to 90° (not on a cold and possibly damp cement floor).
- Periodically inspect your furniture for any loose glue joints, screws or any other problem that might affect the stability of your furniture. Tighten or repair as needed.

DESIGN SUBJECT TO CHANGE WITHOUT NOTICE.



CALL US FIRST! *Do not return this item to the store.*

Service Policy: We will replace any part that is defective, missing or damaged during assembly. Please contact Whittier Wood Products customer service department directly by phone, fax, mail or email for a replacement part.

Hours: Our friendly customer service staff can be reached Monday-Friday 7:00 a.m. to 5:00 p.m. (Pacific Time). You may leave a message 24 hours a day, seven days a week.

To Order: Provide the furniture model number (upper left corner of this page), the part letter, production code, quantity needed, reason for replacement, your full name, address and telephone number.

Parts ship from our Eugene, Oregon factory within one or two business days from the time we receive your request. Please allow five to ten business days for delivery.

800-653-3336 • Outside the U.S. or Canada: 541-687-0213 • Fax: 541-687-2060
www.whittierwood.com • P.O. Box 2827 • Eugene, Oregon 97402, U.S.A.

**Whittier
Wood**[™]
FURNITURE

P.O. Box 2827
Eugene, OR 97402 USA

Production Code:

VN

11/09

1134AFGSP and 1136AFGSP Pacific Chest – Parts List

Please identify the parts and check that quantities received match what is on this list.
If you need to replace a part, refer to the following letter and item name.

Part	Description	Quantity	
		1134AFGSP	1136AFGSP
A	Top Assembly	1	1
B	Case	1	1
C	Small Left Drawer	1	2
D	Small Right Drawer	1	2
E	Large Drawer	3	3
F	Small Drawer Face	2	4
G	Large Drawer Face	3	3
M	Handle (attached)	8	10
N	4x41mm Machine Screw (inserted)	16	20
O	Drawer Slides (pre-installed sets)	5	7
V	#6 x 1/2" Undercut Screw (inserted)	60	84
T	T-Nut (inserted)	4	4
U	Small Adjustable Glide (installed)	4	4
W	#8x1" Lo-Profile Screw (inserted)	32	40
X	#8x1-1/4" Pan Head Screw (inserted)	10	10
Y	#8x1-1/4" Black Screw (inserted)	48	54
Z	#8x1" Black Screw (inserted)	12	12
ZA	#8x1-3/4" Pan Head Screw (inserted)	2	4
ZB	#8x1-5/8" Black Screw (inserted)	4	4
P	Clip	4	4
Q	Nylon Restraint Strap	2	2
R	#8 x 2" Black Screw	4	4
S	#8 x 1" Pan Head Screw	4	4

**Tighten the Nylon Restraint Strap (Q)
so there is no slack.**

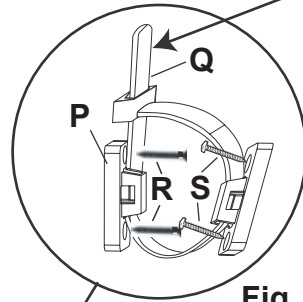


Fig. 3a

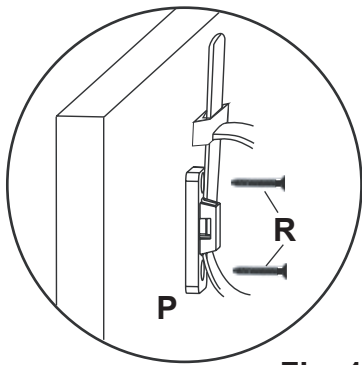


Fig. 1

Pull tight

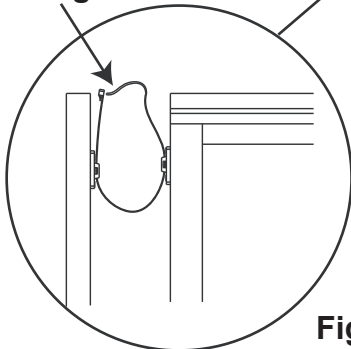


Fig. 3b

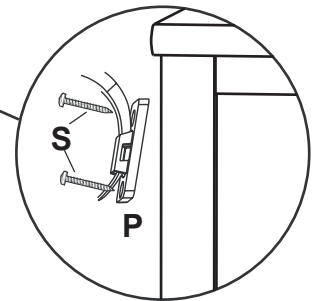


Fig. 2

(1136AFGSP shown.)

TO LEVEL THE UNIT:

1. Adjustable glides (U) are attached to the bottoms of the feet. Rotate the glides until the unit stands level.

TIPPING RESTRAINT:

2. Position the unit at your desired location. Locate two studs in the wall behind the unit. Attach a Clip (P) to each wall stud with #8 x 2" Black Screws (R). See Figure 1. Attach a second clip to the unit with #8 x 1" Pan Head Screws (S). See Figure 2. Connect the two clips with the Nylon Restraint Strap (Q). **Pull the Nylon Restraint Strap (Q) tight so there is no slack.** See Figures 3a and 3b. If you cannot locate two studs, purchase the proper wall attachment hardware for your type of wall and secure the unit.

Unless specifically designed to accommodate, do not set TVs or other heavy objects on top of this product.